

Preset Counters

LCD Preset Counters	1 or 2 Presets	Codix 907 / 908
----------------------------	-----------------------	------------------------



The Codix 908 and 907 preset counters for pulse and time inputs offer all essential counter functions at an amazing price-performance ratio.

As a result of their minimal mounting depth and their plug-in screw terminals, the counters are simple and quick to install; as an option the two-line LCD can also be backlit. It is then even easier to read it at a glance.



DC 11 ... 30 V	AC 115 / 230 V	-10° +50°	000000 DIN 48 x 48	Prog	IP 65	max. 5 kHz	1 or 2	Multifunction	123... 2 x 6 LCDs
Supply voltage		Temperature	DIN front bezel	Menu driven programming	High IP value	Count frequency	Presets 907: 1 / 908: 2		2 x 6 LCDs

Simple

- Plug-in screw terminal
- Menu driven programming
- Decade keypad, for each digit one key
- DC or AC supply voltage
- Minimum installation depth
- High protection rating (IP 65)
- With preset annunciators

Powerful

- For pulse, time and position
- Adding or subtracting
- Automatic reset, via key or electrical
- Codix 907: 1 Presets / Codix 908: 2 Presets
- 2 x 6 digit display with preset annunciators from -999999 up to +999999
- With or without backlighting

Order code

6.90 X . 0 1 0 X . X A 0

1
2
3
4
5

1 Number of presets

- 7 = 1 preset
- 8 = 2 presets

2 Output

- 0 = Relays

3 LCD options

- 0 = no backlighting
- 1 = green backlighting

4 Supply voltage

- 0 = 230 V AC
- 1 = 115 V AC
- 3 = 10 ... 30 V DC

5 Input trigger level

- A = 4 ... 30 V DC level

Delivery specification

- Preset counter
- Mounting clip
- 8 pin screw terminal
- 7 pin screw terminal
- Operating instructions

Stock models:

6.907.0100.3A0	6.907.0100.0A0
6.908.0100.3A0	6.908.0100.0A0
6.908.0101.3A0	6.908.0101.0A0

Accessories

Adapter front bezel 55 x 55 mm
for panel cut-out 50 x 50 mm

Order-No.

T00885

Gasket

N511004

Adapter bezel 60 x 75 mm
with screw fixing

Order-No.

T008860

Gasket

N511028

Replacement parts

8-pin screw terminal 1 ... 8

Order-No. **N100498**

8-pin screw terminal 9 ... 15

Order-No. **N100548u002**

Preset Counters

LCD Preset Counters 1 or 2 Presets Codix 907 / 908

Technical data

Supply voltage		AC 115/230 V / 50/ 60 Hz, max. 6,5 VA
		DC 11 ... 30 V, max. 4 W
External fuse protection		
230 V AC		T 0,1 A
115 V AC		T 0,125 A
11 ... 30 V DC		T 0,2 A
Display		
2-line 6-digits LCD display positive green, with optional backlighting		
Data retention		
> 10 years, EEPROM		
Count inputs		
pulse counter		cnt.dir, up.dn, quad
timer		FrErUn, InpA.InpB., InpB.InpB.
Voltage supply for sensors		
AC		24 V DC -40/+15%, 50 mA at 230 V AC, 40 mA at 115 V AC
DC		max. 50 mA, external voltage supply is connected through
Operating temperature		
-10 °C ... +50 °C		
Storage temperature		
-25 °C ... +75 °C		
Humidity		
at +40 °C		r.F. 93%, non condensing
Altitude		
up to 2000 m		
EMV		
Emitted interference		EN55011 Class B
Immunity to interference		EN 61000-6-2
Device safety		
EN 61010 part 1; Protection 2		
Application area		
Soiling Level 2		
Protection		
IP65 (from the front)		
Weight		
AC version		approx. 250 g
DC version		approx. 150 g

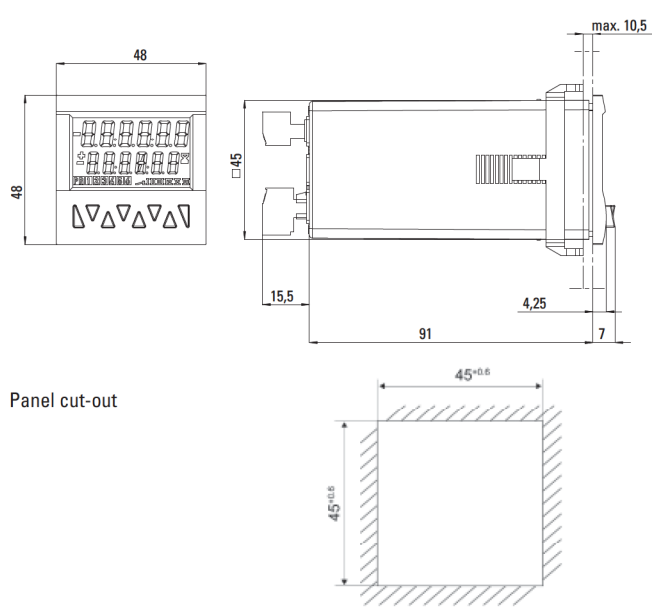
Inputs

Count inputs	A and B
Polarity of the inputs	programmable for all inputs in common NPN/PNP
Input resistance	10 kW
Count frequency	max. 5 kHz (details see manual) can be damped to 30 Hz (mechanical contacts)
Control / Reset input	Lock, Reset
Min pulse duration of the inputs	statical / 1 ms
Switching levels with AC/DC-supply:	4 ... 30 V DC: low 0 ... 2 V DC high 3,5 ... 30 V DC
Pulse shape	variable, Schmitt-Trigger characteristics

Outputs

Switching voltage	max. 250 V AC / 110 V DC
Switching current	max. 3 A AC/DC min. 30 mA DC
Switching capacity	max. 750 VA / 90 W
Output 1	
Mech. service life (switching cycles)	2 x 10 ⁷
N° of switching cycles at 3 A / 250 V AC	1 x 10 ⁵
N° of switching cycles at 3 A / 30 V DC	1 x 10 ⁵
Relay with closing contact, progr. normal closed or normal open.	
Output 2	
Mech. service life (switching cycles)	20 x 10 ⁶
N° of switching cycles at 3 A / 250 V AC	5 x 10 ⁴
N° of switching cycles at 3 A / 30 V DC	5 x 10 ⁴
Relay with changeover contact	
Reaction time of the outputs:	Pulse counter < 15 ms Timer < 10 ms

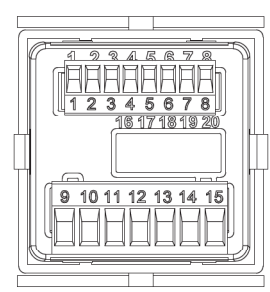
Dimensions



Connections

Signal and control inputs

- Sensor voltage supply
AC: 24 VDC/220 V, 50 mA
115 V, 40 mA
DC: UB connected through
- GND (0 VDC)
- INP A (Signal input A)
- INP B (Signal input B)
- RESET (Reset input)
- LOCK (Key locking input)
- n. c.
- n. c.



Version with relays/optocouplers

- Relay contact C./Collector
 - Relay contact N.O./Emitter
 - Relay contact C./Emitter
 - Relay contact N.O./not assigned
 - Relay contact N.C./Collector
 - AC: 115/230 VAC N~
 - DC: 11 ... 30 VDC
 - AC: 115/230 VAC L~
 - DC: GND (0 VDC)
- Output 1 (terminals 1, 2)
Output 2 (terminals 3, 4)
Supply voltage (terminals 5, 6)