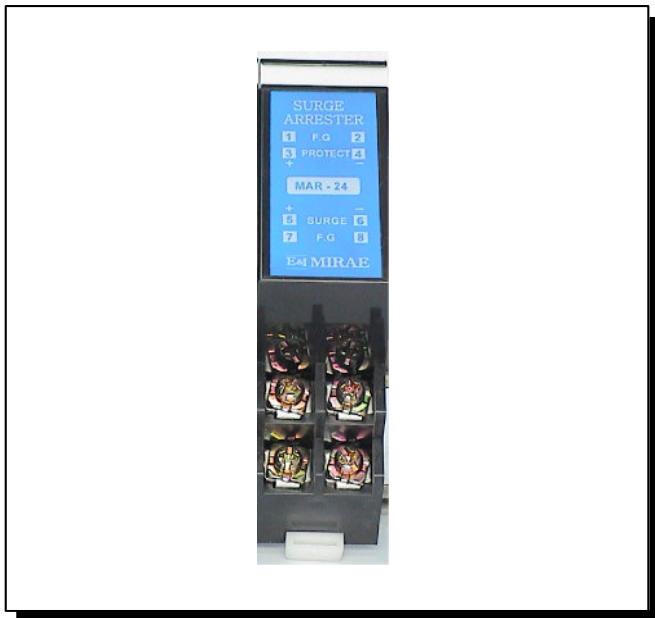


| | |
|----------------|--|
| MODEL | STANDARD (SIGNAL LINE USE) ARRESTER |
| MAR-24S | |



본 제품은 각종 계장기기의 신호전송 선로에 인가되는 써지, 고압노이즈, 낙뢰 등의 위협적인 장애요소로부터 현장계기 및 정밀 계측기기를 보호하는 목적으로 제작되었습니다.

■ **FEATURES**

Small size(mm) : 99.15(H), 25(W), 61.1(D).

Case & color : black ABS plastic case.

■ **INSTALLATION**

Operating temperature : -5~+55°C

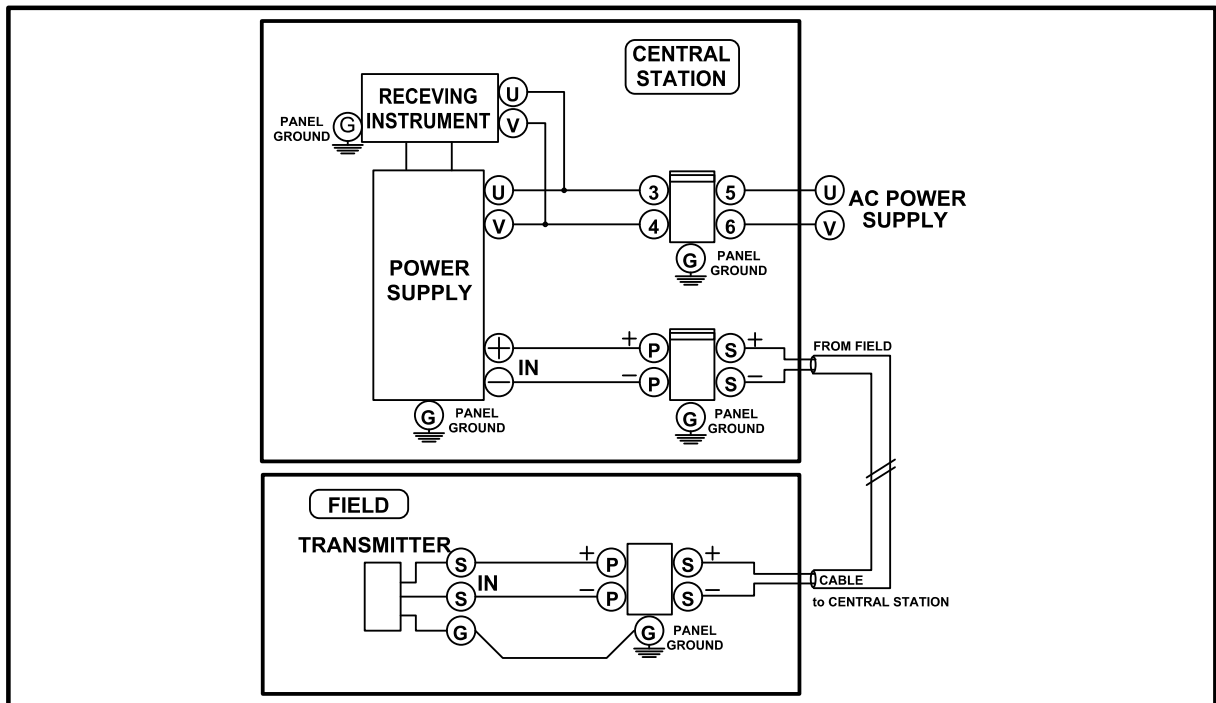
Operating humidity : 90%RHmax.(non condensing)

Mounting : channel mount

■ **MODEL & SPECIFICATION CODE**

- **MODEL : MAR-24S**
- **Discharge Voltage**
btwn lines : 40V or more
btwn line & gnd : 500V or less
- **Max. Surge Voltage**
40V or less (btwn lines)
- **Response Time : 0.2mS or less**
- **Discharge current : 20KA (8X20 microseconds)**
- **Max. Load Current : 100mA**
- **Internal Series Resistance : Approx. 20ohm**
- **Promissible Leakage Current**
btwn lines : 5uA or less (at 30V DC)
btwn line & gnd : 5uA or less (at 140V DC)
- **Capacity Btwn Lines : 1uF**
- **Max. Line Voltage : 32V (Continues)**

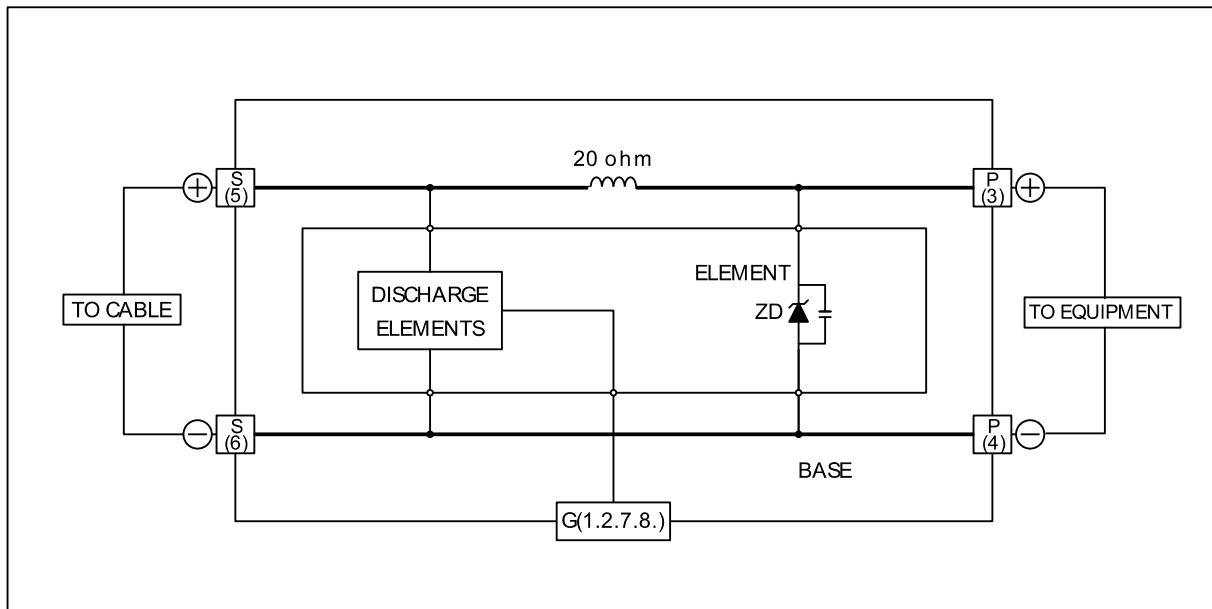
■ **CONNECTION DIAGRAM**



STANDARD (SIGNAL LINE USE) ARRESTER

| |
|---------|
| MODEL |
| MAR-24S |

■ SCHEMATIC CIRCUITRY



■ EXTERNAL DIMENSION

DIMENSION'S (m m)

