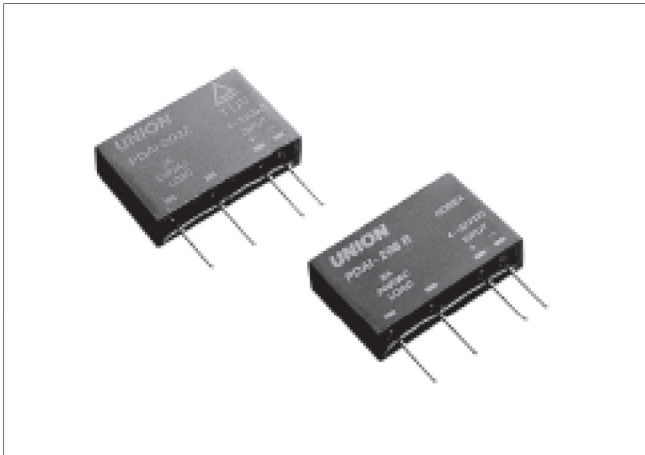


PDA1 Series(2)



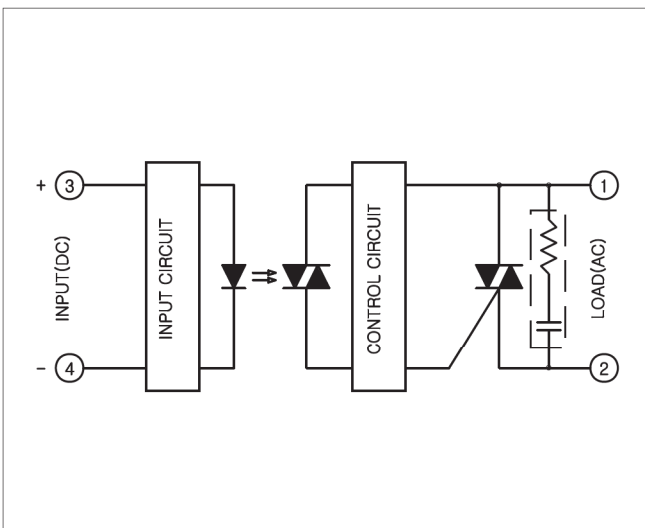
Input DC/Output AC PCB

- 3 - 8Amp AC 240V Output
- AC SIP
- AC 2500V Isolation
- Normally Open
- LED Indicator
- Zero-cross and Random Switching
- PCB Mount
- Approved by UL508
- Approved by EN 60947-4-1

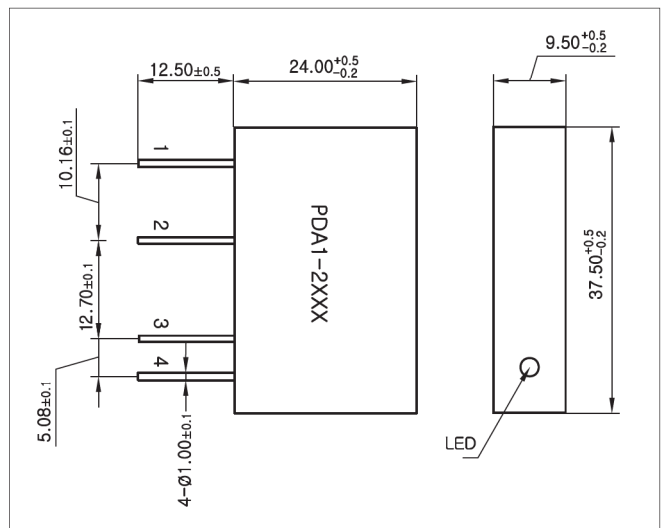
SPECIFICATIONS

Item		PDA1-203Z	PDA1-205Z	PDA1-208Z	PDA1-203R	PDA1-205R	PDA1-208R	Unit
OUTPUT	RMS ON-STATE LOAD CURRENT	3	5	8	3	5	8	Arms
	LOAD VOLTAGE RANGE	50 ~ 240						Vrms
	BLOCKING VOLTAGE	600						Vrms
	PEAK 1-CYCLE SURGE CURRENT	50	70	84	50	70	84	Arms
	ON-STATE VOLTAGE DROP	2 Max						Vrms
	OFF-STATE LEAKAGE CURRENT	1 Max						mArms
INPUT	INPUT VOLTAGE RANGE	4 ~ 32						Vdc
	PICK-UP VOLTAGE	4 Max						Vdc
	DROP-OUT VOLTAGE	1 Min						Vdc
GENERAL	ISOLATION VOLTAGE	2,500Vrms between I/O terminals and case for 1 minute						/
	ISOLATION RESISTANCE	500Vdc 100Mohm between I/O terminals and case						/
	OPERATING TEMPERATURE	-30 ~ +80						°C
	STORAGE TEMPERATURE	-30 ~ +100						°C
	TURN-ON TIME	1/2 Cycle Max			1msec Max			/
	TURN-OFF TIME	1/2 Cycle max						/
	ZERO-CROSS OR RANDOM	Zero-cross			Random			/
	BUILT-IN SNUBBER	-	○		-	○		/
	APPROVALS	UL,TUV			UL,TUV			/

BLOCK DIAGRAM



DIMENSIONS(UNIT : MM)



S.S.R