

SBS Series(1)



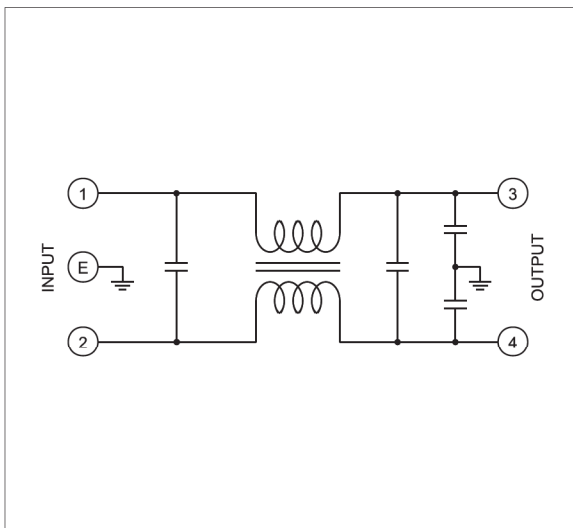
BOLT/Square 1-Phase

- **5 - 20Amp 250V**
- **Excellent Filtering for Normal Mode and common Mode Noise**
- **Low Leakage**
- **Bolt Terminals**
- **Suitable for Industrial & Medical Equipments, OA & FA Equipments, Measuring Equipments, etc.**
- **Approved by EN 60939-2 \triangle**

SPECIFICATIONS

Item	UF5SBS	UF6SBS	UF10SBS	UF15SBS	UF20SBS	Unit
RATED CURRENT	5	6	10	15	20	A
RATED VOLTAGE	250 Max					V
TEST VOLTAGE	2,500Vrms between line and earth for 1 minute					/
ISOLATION RESISTANCE	500Vdc 300Mohm between line and earth					/
LEAKAGE CURRENT	1 Max					mA
TEMPERATURE RISE	30 Max					°C
OPERATING TEMPERATURE	-25 ~ +85					°C
APPROVALS	TUV	TUV	TUV	TUV	TUV	/

BLOCK DIAGRAM



DIMENSIONS(UNITS : MM)

