

# SBS Series(5)



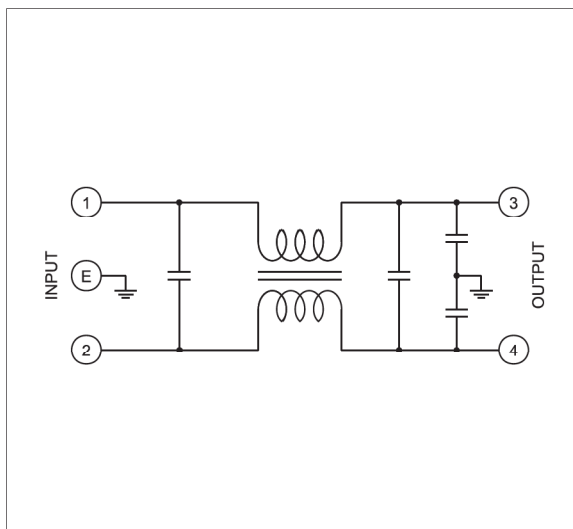
## BOLT/Square 1-Phase

- 100 - 150Amp 250V
- Excellent Filtering for Normal Mode and common Mode Noise
- Low Leakage
- Bolt Terminals
- Suitable for Industrial & Medical Equipments, OA & FA Equipments, Measuring Equipments, etc.
- Approved by EN60939-2  $\triangle$

### SPECIFICATIONS

Item	UF100SBS	UF120SBS	UF150SBS	Unit
RATED CURRENT	100	120	150	A
RATED VOLTAGE	250 Max			V
TEST VOLTAGE	2,500Vrms between line and earth for 1 minute			/
ISOLATION RESISTANCE	500Vdc 300Mohm between line and earth			/
LEAKAGE CURRENT	1 Max			mA
TEMPERATURE RISE	30 Max			°C
OPERATING TEMPERATURE	-25 ~ +85			°C
APPROVALS	TUV	TUV	TUV	/

### BLOCK DIAGRAM



### DIMENSIONS(UNITS : MM)

