

TBL Series(1)



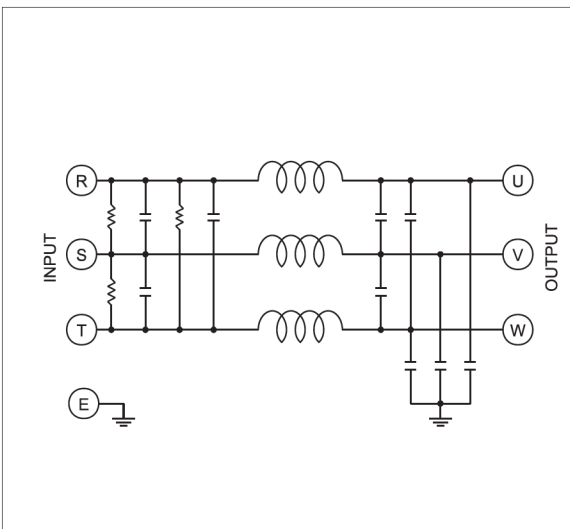
BOLT/Square 3-Phase

- 5 - 10Amp 250V
- Excellent Filtering for Normal Mode and common Mode Noise
- Low Leakage
- Bolt Terminals
- Suitable for Industrial & Medical Equipments, OA & FA Equipments, Measuring Equipments, etc.
- Approved by EN60939-2 Δ

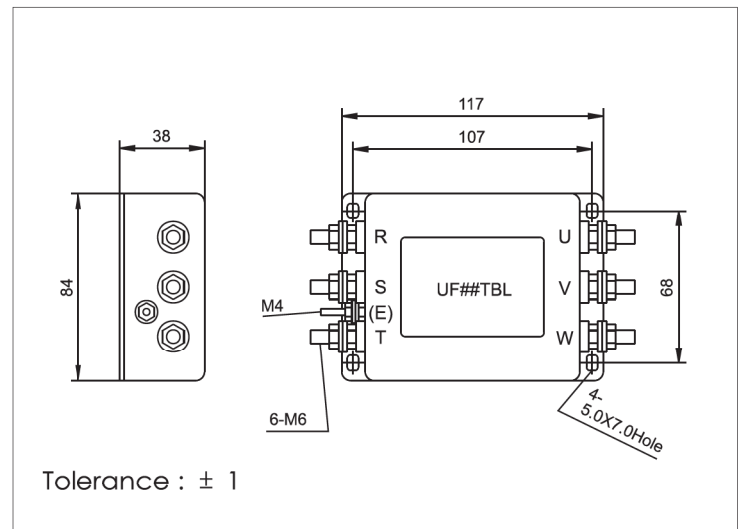
SPECIFICATIONS

Item	UF5TBL	UF10TBL	Unit
RATED CURRENT	5	10	A
RATED VOLTAGE	250 Max		V
TEST VOLTAGE	1,500Vrms between line and earth for 1 minute		/
ISOLATION RESISTANCE	500Vdc 300Mohm between line and earth		/
LEAKAGE CURRENT	1 Max		mA
TEMPERATURE RISE	40 Max		°C
OPERATING TEMPERATURE	-25 ~ +85		°C
APPROVALS	TUV	TUV	/

BLOCK DIAGRAM



DIMENSIONS(UNITS : MM)



NOISE FILTER