

TBL Series(5)



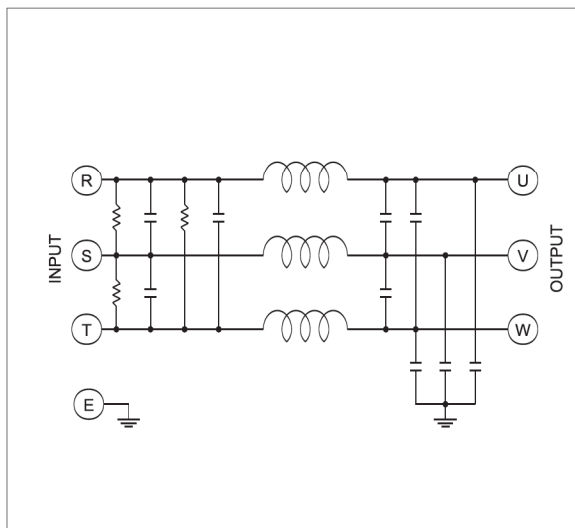
BOLT/Low-volt 3-Phase

- 150 -200Amp 250V
- Excellent Filtering for Normal Mode and Common Mode Noise
- Low Leakage
- Bolt Terminals
- Suitable for Industrial & Medical Equipments, OA & FA Equipments, Measuring Equipments, etc.

SPECIFICATIONS

Item	UF150TBL	UF200TBL	Unit
RATED CURRENT	150	200	A
RATED VOLTAGE	250 Max		V
TEST VOLTAGE	1,500Vrms between line and earth for 1 minute		/
ISOLATION RESISTANCE	500Vdc 300Mohm between line and earth		/
LEAKAGE CURRENT	1 Max		mA
TEMPERATURE RISE	40 Max		°C
OPERATING TEMPERATURE	-25 ~ +85		°C

BLOCK DIAGRAM



DIMENSIONS(UNITS : MM)

