

TBI Series(4)



BOLT/Inverter 3-Phase

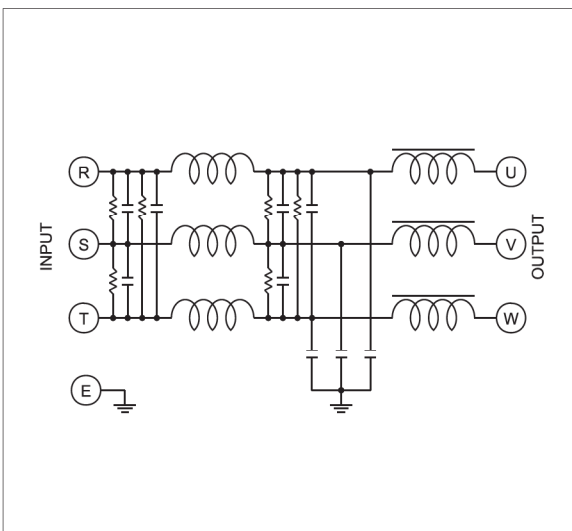
- 100 - 150Amp 250V/450V
- Excellent Filtering for Normal Mode and Common Mode Noise
- Low Leakage
- Bolt Terminals
- Suitable for Inverters
- Ordering Information

UFXXTBI-LI	250V for INPUT
UFXXTBI-LO	250V for OUTPUT
UFXXTBI-HI	450V for INPUT
UFXXTBI-HO	450V for OUTPUT

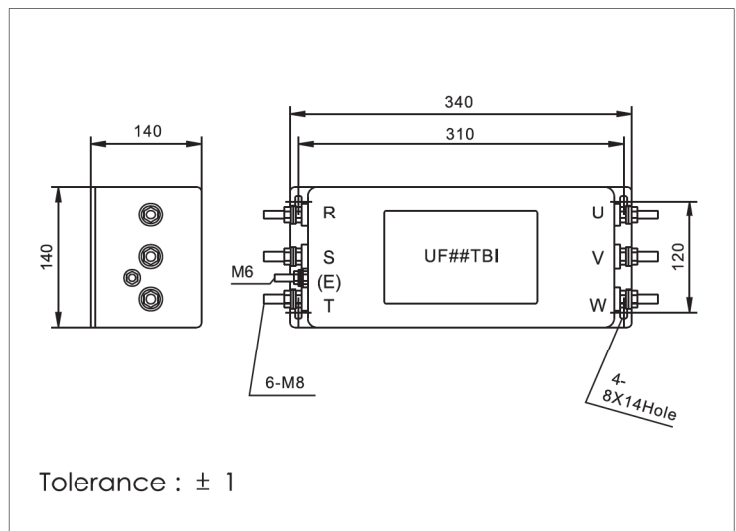
SPECIFICATIONS

Item	UF100TBI-XX	UF120TBI-XX	UF150TBI-XX	Unit
RATED CURRENT	100	120	150	A
RATED VOLTAGE	250 Max/450 Max			V
TEST VOLTAGE	1,500Vrms between line and earth for 1 minute			/
ISOLATION RESISTANCE	500Vdc 300Mohm between line and earth			/
LEAKAGE CURRENT	2 Max			mA
TEMPERATURE RISE	40 Max			°C
OPERATING TEMPERATURE	-25 ~ +85			°C
APPROVALS				/

BLOCK DIAGRAM



DIMENSIONS(UNITS : MM)



NOISE FILTER