

# TBI Series(5)



## BOLT/Inverter 3-Phase

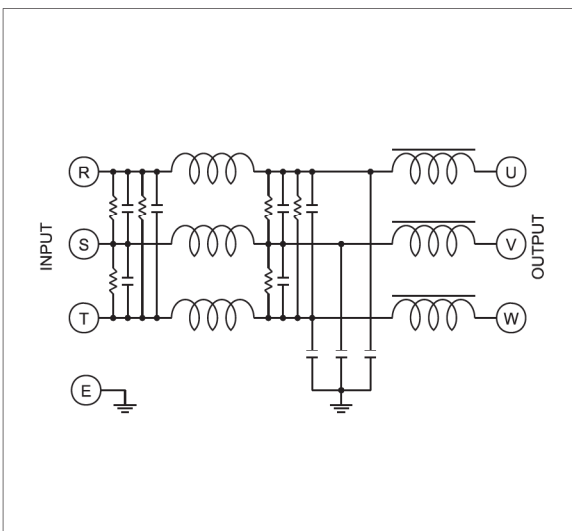
- 190 - 260Amp 250V/450V
- Excellent Filtering for Normal Mode and Common Mode Noise
- Low Leakage
- Bolt Terminals
- Suitable for Inverters
- Ordering Information

UFXXTBI-LI	250V for INPUT
UFXXTBI-LO	250V for OUTPUT
UFXXTBI-HI	450V for INPUT
UFXXTBI-HO	450V for OUTPUT

### SPECIFICATIONS

Item	UF190TBI-XX	UF260TBI-XX	Unit
RATED CURRENT	190	260	A
RATED VOLTAGE	250 Max/450 Max		V
TEST VOLTAGE	1,500Vrms between line and earth for 1 minute		/
ISOLATION RESISTANCE	500Vdc 300Mohm between line and earth		/
LEAKAGE CURRENT	2 Max		mA
TEMPERATURE RISE	40 Max		°C
OPERATING TEMPERATURE	-25 ~ +85		°C
APPROVALS			/

### BLOCK DIAGRAM



### DIMENSIONS(UNITS : MM)

