

# TBI Series(7)



## BOLT/Inverter 3-Phase

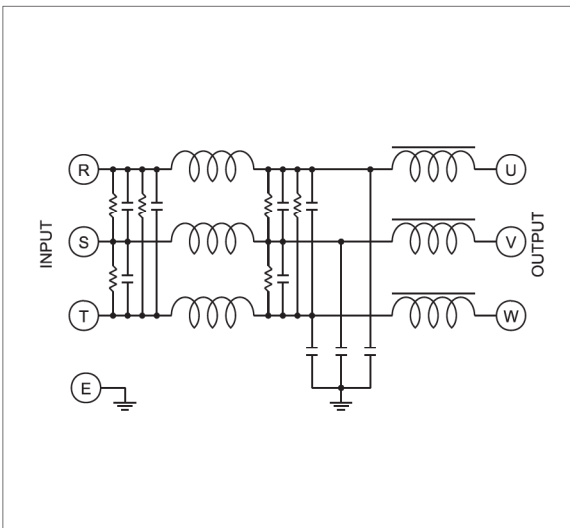
- **660 - 1000Amp 250V/450V**
- **Excellent Filtering for Normal Mode and Common Mode Noise**
- **Low Leakage**
- **Bolt Terminals**
- **Suitable for Inverters**
- **Ordering Information**

UFXXTBI-LI	250V for INPUT
UFXXTBI-LO	250V for OUTPUT
UFXXTBI-HI	450V for INPUT
UFXXTBI-HO	450V for OUTPUT

### SPECIFICATIONS

Item	UF660TBI-XX	UF750TBI-XX	UF880TBI-XX	UF1000TBI-XX	Unit
RATED CURRENT	<b>660</b>	<b>750</b>	<b>880</b>	<b>1000</b>	A
RATED VOLTAGE	250 Max/450 Max				V
TEST VOLTAGE	1,500Vrms between line and earth for 1 minute				/
ISOLATION RESISTANCE	500Vdc 300Mohm between line and earth				/
LEAKAGE CURRENT	2 Max				mA
TEMPERATURE RISE	40 Max				°C
OPERATING TEMPERATURE	-25 ~ +85				°C
APPROVALS					/

### BLOCK DIAGRAM



### DIMENSIONS(UNITS : MM)

