

# RADIO REMOTE CONTROL

PLANAR-N-L



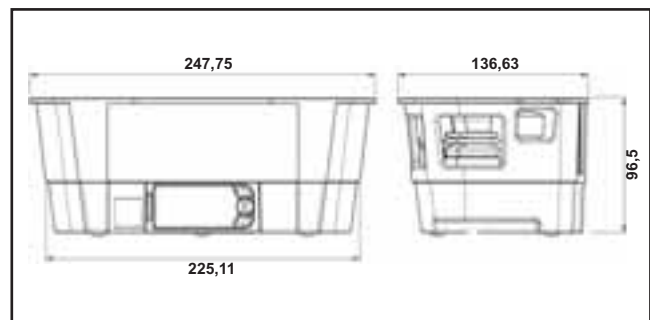
# The professional allrounder for industrie & construction!



Requires 2 AA rechargeable batteries or batteries (not included in delivery).

## Planar-NL Transmitter:

- ▶ Compact, handy, easy operation and robust
- ▶ Protection class IP65
- ▶ Frequency switching
- ▶ With neck- and abdominal belt
- ▶ Operating time: 40 hours with one battery charge
- ▶ Weight: approx. 815 g
- ▶ CE ⓘ



## Compact-V Receiver

- ▶ Small, compact and robust
- ▶ Protection class IP67
- ▶ Display for fault analysis
- ▶ External antenna
- ▶ Interface for analysis and the possibility to update.
- ▶ CE

