

MODEL MR - RVC	DISPLAY & DC REVERSE ISOLATION CONVERTER
--------------------------	-----------------------------------------------------



This is a converter to output reversed DC signal by using DC signal as input signal source.

With built-in noise removal filter, transfers correct signal, and precision isolation circuits enable perfect signal transfer not affected by withstand insulation voltage, transfer speed, noise, etc.

본 변환기는 직류신호를 입력원으로 하여 반전된 직류신호를 출력하는 변환기입니다.

NOISE FILTER가 내장되어 있어 정확한 신호전달을 합니다.

FEATURES

- Small size(mm) : 83(H), 51(W), 102(D).
- Isolation : input to output to power supply.
- Power supply : AC or DC supply.
- Wiring : terminal socket wiring.
- Case & color : black ABS plastic case.
- Weight : about 400g

INPUT SIGNAL SPECIFICATION

- Input voltage signal : -300 ~ 300VDC.
- Input voltage impedance : 1Mohm min.
- Input current signal : 30mADC max.
- Input current load resistance : 100ohm max. (at 20mA)

OUTPUT SIGNAL SPECIFICATION

- Output voltage signal : 12VDC max.
- Output voltage impedance : 2Kohm min.
- Output voltage noise : 10mV p-p max.
- Output current signal : 30mADC max.
- Output load resistance : 750ohm max.
- Output current noise(250ohm load) : 10mV p-p.

OUTPUT	IMPEDANCE	OUTPUT	LOAD - R
0 - 1VDC	> 1Kohm	0 - 1mA	< 15Kohm
0 - 5VDC	> 2Kohm	0 - 20mA	< 750ohm
1 - 5VDC	> 2Kohm	1 - 5mA	< 3Kohm
0 - 10VDC	> 4Kohm	4 - 20mA	< 750ohm

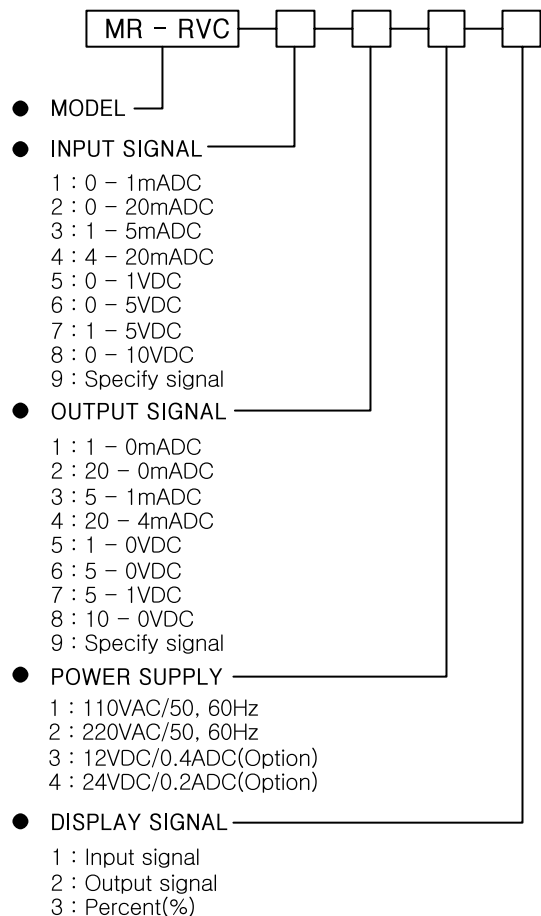
GENERAL SPECIFICATION

- Operating ambient temperature : 0 - 50°C.
- Non operating ambient temperature : -20 ~ 80°C.
- Temperature coefficient : 0.015%/°C.
- Operating ambient humidity : 90% RH max.(non condensing)
- Insulation resistance : greater than 100Mohm with 500VDC.
- Dielectric strength : 1500VAC @ 1minute
(input to output to power).
- Adjustment range : 20% (zero & span) min.
- Conversion accuracy : 0.15% max.
- Response time : 0 - 90%(0.5sec).

DISPLAY (OPTION)

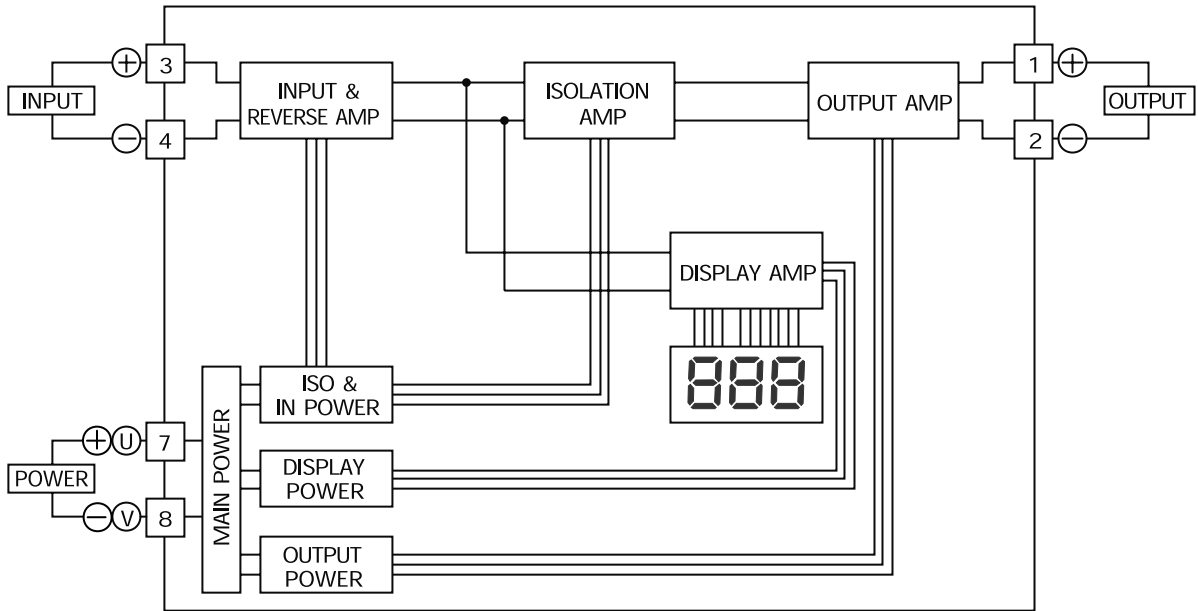
- Type : 3 digit FND
- Display font : red super bright
- Display function : input or output or percent(%).
- Display error : 1digit(LSB).

MODEL & SPECIFICATION CODE



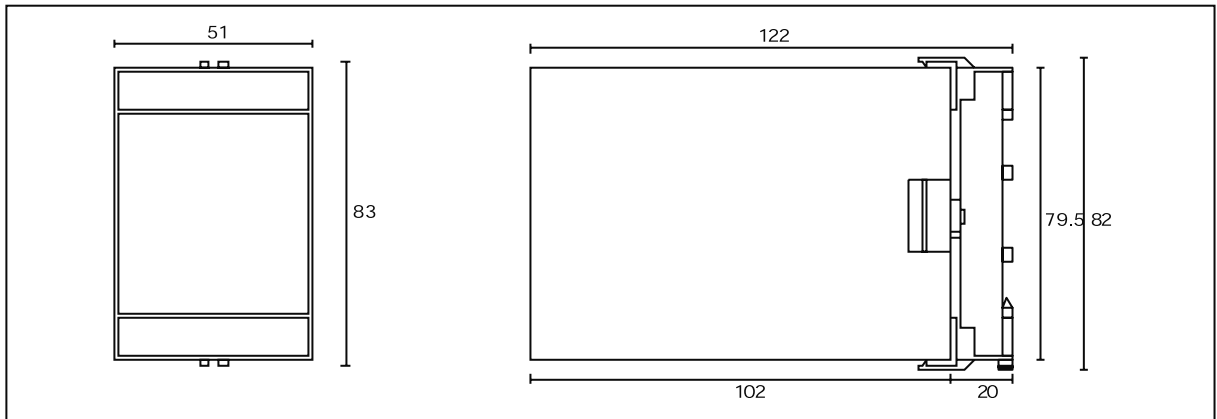
DISPLAY & DC REVERSE ISOLATION CONVERTER MODEL MR - RVC

■ BLOCK DIAGRAM & PIN CONNECTION

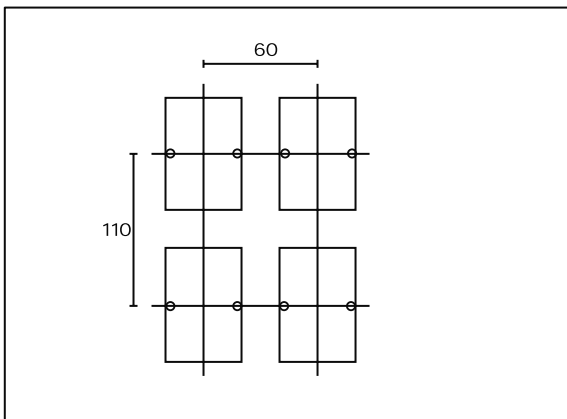


■ EXTERNAL DIMENSION, TERMINAL ARRANGEMENT & MOUNTING SPACE

DIMENSION'S (mm)



MOUNTING SPACE (mm)



SOCKET DIMENSION'S (mm) & TERMINAL ARRANGEMENT

