

MODEL	POWER SUPPLY
MR - PSC	



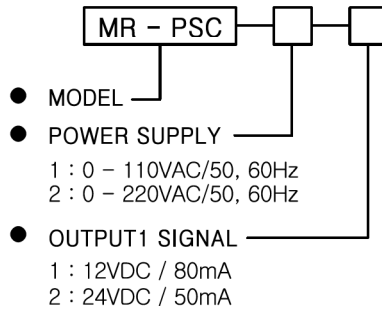
The unit power supply unit Model MR-PSC supplies power to 2-wire single loop system.

본 변환기는 교류전원을 입력으로 DC24V로 변환하는 POWER SUPPLY입니다.

FEATURES

- Small size(mm) : 83(H), 51(W), 102(D).
- Isolation : input to output to power supply.
- Power supply : AC or DC supply.
- Wiring : terminal socket wiring.
- Case & color : black ABS plastic case.
- Weight : about 400g

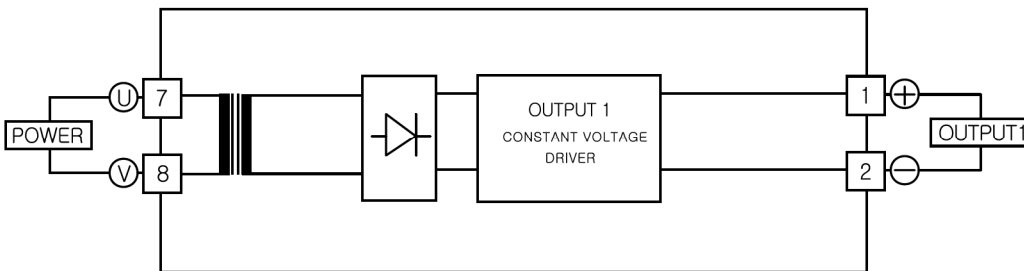
MODEL & SPECIFICATION CODE



GENERAL SPECIFICATION

- Operating ambient temperature : 0 - 50°C.
- Non operating ambient temperature : -20 ~ 80°C.
- Operating ambient humidity : 90% RH max.(non condensing)
- Insulation resistance : greater than 100Mohm with 500VDC.
- Dielectric strength : 1500VAC @ 1minute
(input to output to power).
- Line voltage effect : 24V with 5%(max) change
- Current capacity (shortcircuit) : 60mA max.
- Permissible shortcircuit duration : No limit
- Power regulation : rating 10 %

BLOCK DIAGRAM & PIN CONNECTION



EXTERNAL DIMENSION, TERMINAL ARRANGEMENT

