

MODEL	DUAL CHANNEL IN/OUT SIGNAL ISOLATOR
MR-ISO-D	



This is a converter used to transfer or convert two DC signals in a product.

With built-in noise removal filter, transfers correct signal, and precision isolation circuits enable perfect signal transfer not affected by withstand insulation voltage, transfer speed, noise, etc. This product is featured to interrupt excessively input with arrester function equipped with input circuits, and stability of signal transmitted to instruments at the rear as well as protection of product.

본 변환기는 1대의 제품으로 2개의 직류신호를 전송, 또는 변환하기 위한 목적으로 사용되는 변환기입니다.

NOISE제거 FILTER를 내장하여 정확한 신호 전송을 하며, 정밀 ISOLATION회로는 절연내압, 속도, NOISE등의 영향없는 완벽한 신호전달을 가능하게 합니다. 본 제품의 특징으로는 입력회로에 ARRESTER(피뢰기) 기능을 내장하여 과도하게 입력되어지는 신호를 차단하며 본제품의 보호는 물론 후단의 계측기에 전달되는 신호의 안정성이 매우 뛰어나 있습니다.

FEATURES

- Small size(mm) : 83(H), 51(W), 102(D).
- Isolation : input to output to power supply.
- Power supply : AC or DC supply.
- Wiring : terminal socket wiring.
- Case & color : black ABS plastic case.
- Weight : about 400g

INPUT SIGNAL SPECIFICATION

- Input voltage signal : -75 ~ 75 VDC.
- Input voltage impedance : 1Mohm min.
- Input current signal : 30mADC max.
- Input current load resistance : 100ohm max.(at 20mA)

OUTPUT SIGNAL SPECIFICATION

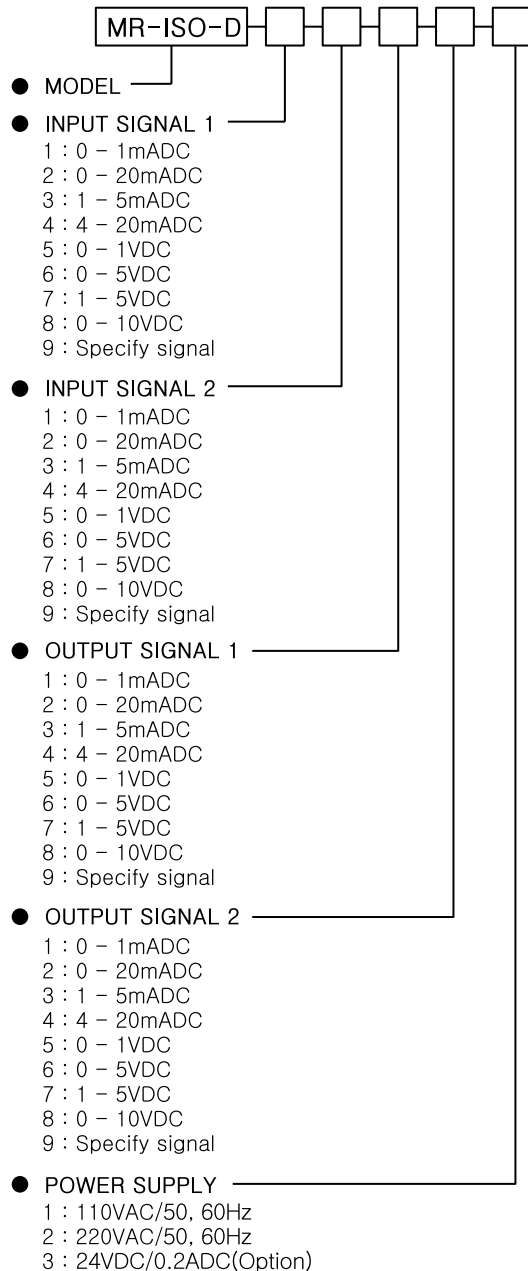
- Output voltage signal : 12VDC max.
- Output voltage impedance : 2Kohm min.
- Output voltage noise : 10mV p-p max.
- Output current signal : 30mADC max.
- Output load resistance : 750ohm max.
- Output current noise(250ohm load) : 10mV p-p.

OUTPUT	IMPEDANCE	OUTPUT	LOAD - R
0 - 1VDC	> 1Kohm	0 - 1mA	< 15Kohm
0 - 5VDC	> 2Kohm	0 - 20mA	< 750ohm
1 - 5VDC	> 2Kohm	1 - 5mA	< 3Kohm
0 - 10VDC	> 4Kohm	4 - 20mA	< 750ohm

GENERAL SPECIFICATION

- Operating ambient temperature : 0 - 50°C.
- Non operating ambient temperature : -20 ~ 80°C.
- Temperature coefficient : 0.015%/°C.
- Operating ambient humidity : 90% RH max.(non condensing)
- Insulation resistance : greater than 100Mohm with 500VDC.
- Dielectric strength : 1500VAC @ 1minute (input/out1/out2/power).
- Adjustment range : 20% (zero & span) min.
- Conversion accuracy : 0.15% max.
- Response time : 0 - 90%(0.5sec).
- Arrester Function : see MAR-24 products catalog

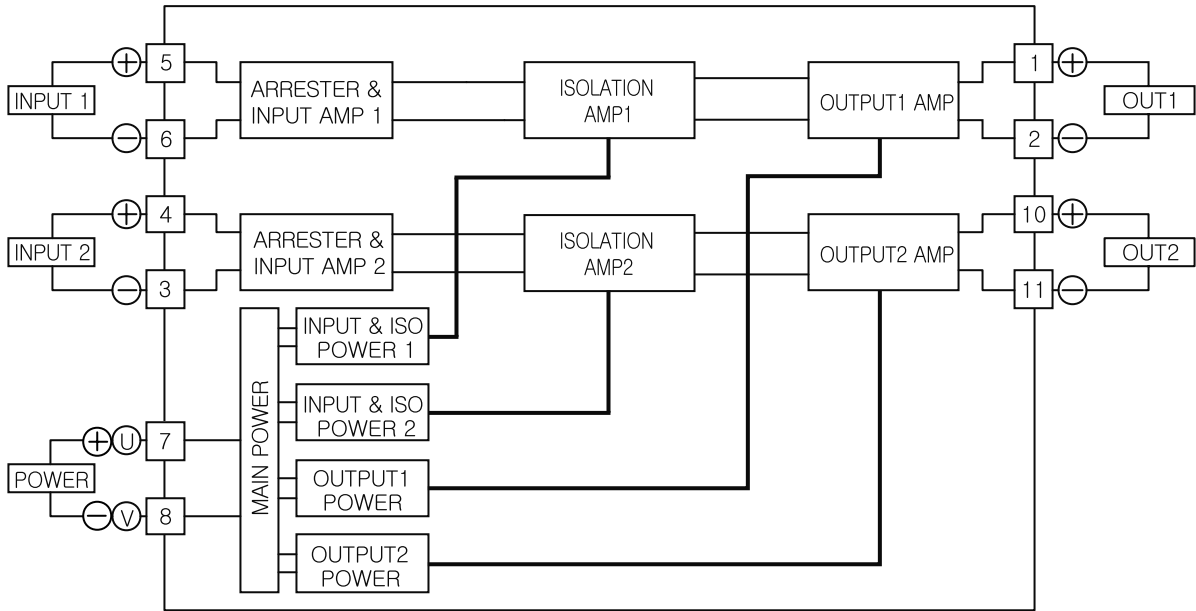
MODEL & SPECIFICATION CODE



DUAL CHANNEL IN/OUT SIGNAL ISOLATOR

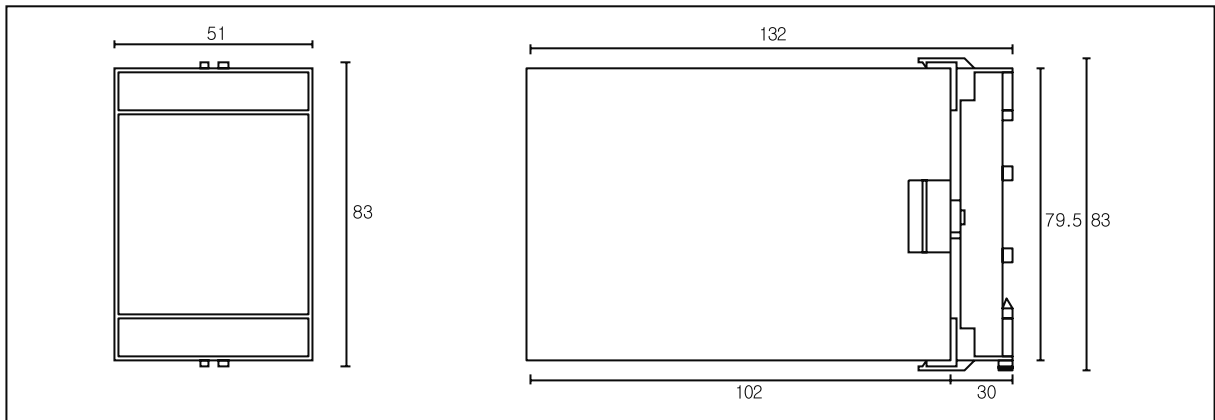
MODEL
MR-ISO-D

■ BLOCK DIAGRAM & PIN CONNECTION

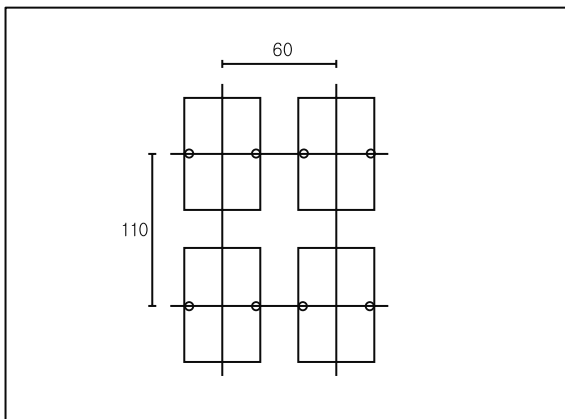


■ EXTERNAL DIMENSION, TERMINAL ARRANGEMENT & MOUNTING SPACE

DIMENSION'S (mm)



MOUNTING SPACE (mm)



SOCKET DIMENSION'S (mm) & TERMINAL ARRANGEMENT

