

**POWER SUPPLY 2OUTPUT** **MODEL**  
MR - PSC2



The unit power supply unit Model MR-PSC supplies power to 2-wire single loop system.  
본 변환기는 교류전원을 입력으로 두 개의 DC24V로 변환하는 POWER SUPPLY입니다.

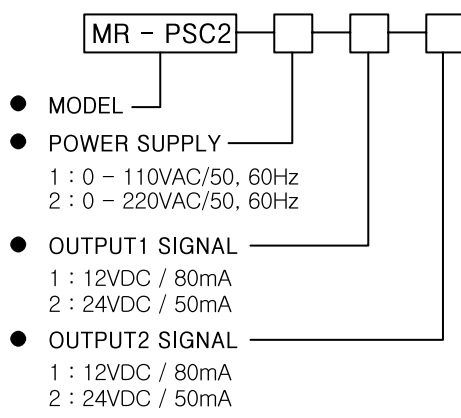
**GENERAL SPECIFICATION**

Operating ambient temperature : 0 - 50°C.  
Non operating ambient temperature : -20 ~ 80°C.  
Operating ambient humidity : 90% RH max.(non condensing)  
Insulation resistance : greater than 100Mohm with 500VDC.  
Dielectric strength : 1500VAC @ 1minute  
(input to output to power).  
Line voltage effect : 24V with 5%(max) change  
Current capacity (shortcircuit) : 60mA max.  
Permissible shortcircuit duration : No limit  
Power regulation : rating 10 %

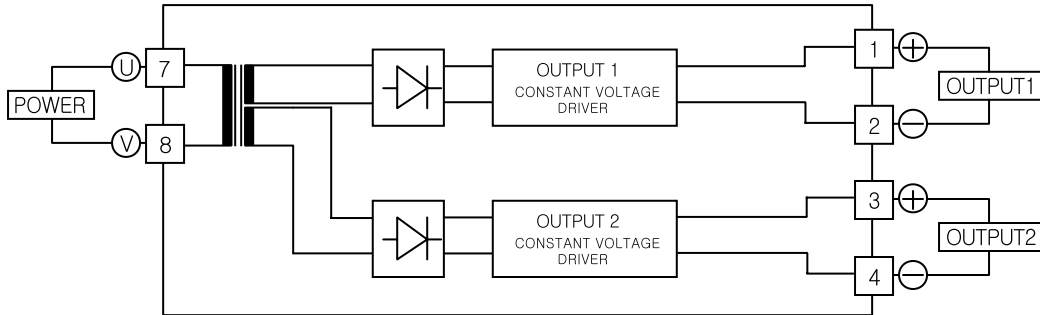
**FEATURES**

Small size(mm) : 83(H), 51(W), 102(D).  
Isolation : input to output to power supply.  
Power supply : AC or DC supply.  
Wiring : terminal socket wiring.  
Case & color : black ABS plastic case.  
Weight : about 400g

**MODEL & SPECIFICATION CODE**



**BLOCK DIAGRAM & PIN CONNECTION**



**EXTERNAL DIMENSION, TERMINAL ARRANGEMENT**

