

| | |
|--------|------------------------------------|
| MODEL | DIGITAL ALARM SET CONVERTER |
| MR-DAS | |



This is a converter used for requiring contact output in Response of 2Point(H/L) or 4Point(H.H/H/L/L.L) setting values At 2Point or 4Point by inputting Signal (DC signal , RTD, T/C, Potentiometer)

SIGNAL(DC Signal, RTD, T/C, Potentiometer등)을 입력으로 하여 2 Point(H/L) 또는 4Point(H.H / H/ L/ L.L) 설정값에 대응한 접점출력을 필요로 하는 목적에 사용되는 DIGITAL형식의 변환기입니다.

■ FEATURES

Small size(mm) : 83(H), 51(W), 102(D)
 Isolation : input to output to power supply
 Power supply : AC or DC supply
 Wiring : terminal socket wiring
 Case & color : black ABS plastic case
 Weight : about 400g

■ DISPLAY

Type : 4digit FND
 Display font : red super bright
 Display function : input or percent(%)
 Display error : 1digit(LSB)

■ INPUT SIGNAL SPECIFICATION

- **DC SIGNAL INPUT**
 Input voltage signal : -300~300VDC
 Input voltage impedance : 1Mohm min.
 Input current signal : 30mADC max
 Input current load resistance : 100ohm max.(at 20mA)
- **RTD SENSOR INPUT**
 Input type : 3wire type
 Input signal : PT100ohm , PT1000ohm
 Input range : -200~850°C
 Ext current : 1mADC max.
- **THERMOCOUPLE SENSOR INPUT**
 Input type : R, K, E, J, T, B, S, N, C, etc
 Input range : -200 ~ 2300°C
 Input impedance : 1Mohm min
 Cold junction temperature range : 0-80°C
- **POTENTIOMETER INPUT**
 Input type : 2wire or 3wire
 Input signal : potentiometer(volume)
 Input range : 100ohm - 2Mohm
 Ext power : 0.5V ~ 2VDC

■ OUTPUT CONTACT SPECIFICATION

Output contact : Dry contact
 Contact rate: 250VAC@3A, 30VDC@3A

■ OUTPUT SIGNAL SPECIFICATION

Output voltage signal : 12VDC max.
 Output voltage impedance : 2Kohm min.
 Output voltage noise : 10mVp-p max.
 Output current signal 30mA DC max.
 Output current load resistance : 750ohm max.
 Output current noise (250ohm load) : 10mVp-p max.

| VOLTAGE OUTPUT | | CURRENT OUTPUT | |
|----------------|-----------|----------------|---------|
| OUTPUT | IMPEDANCE | OUTPUT | LOAD-R |
| 0 - 1VDC | >1Kohm | 0 - 1mADC | <15Kohm |
| 0 - 5VDC | >2Kohm | 0-20mADC | <750ohm |
| 1 - 5VDC | >2Kohm | 1 - 5mA DC | <3Kohm |
| 0 - 10VDC | >4Kohm | 4-20mADC | <750ohm |

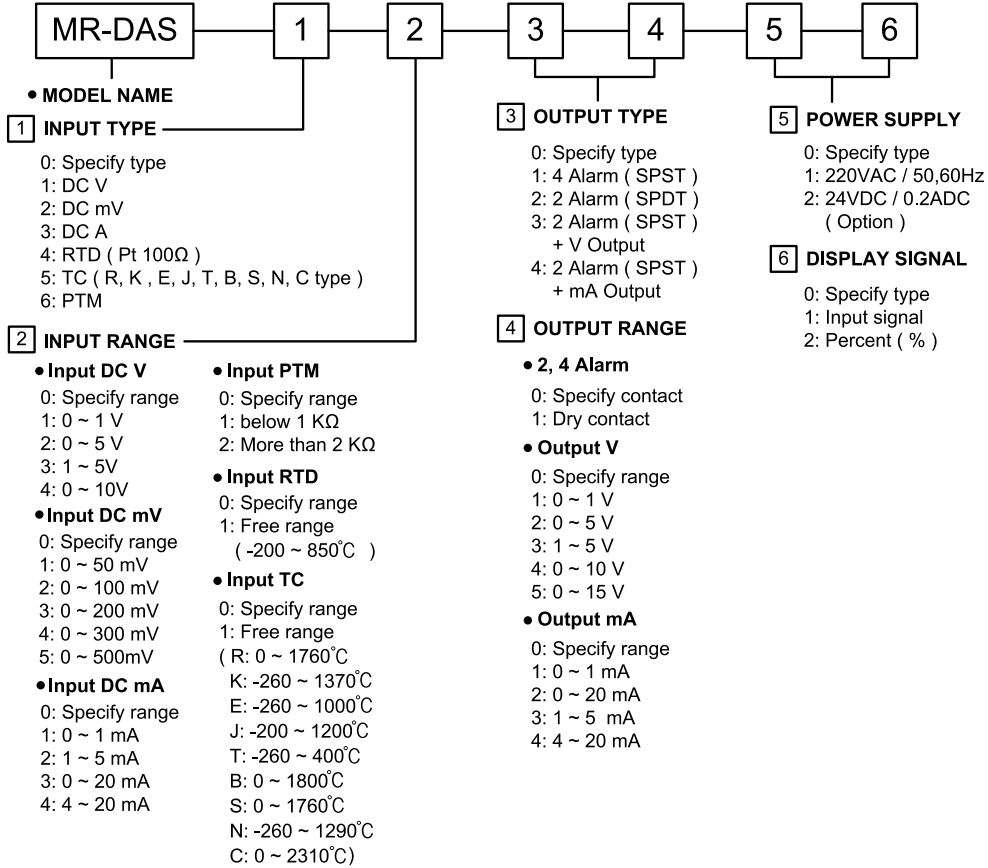
■ GENERAL SPECIFICATION

Operating ambient temperature : 0~50°C
 Non operating ambient temperature : -20~80°C
 Temperature coefficient : 0.015%/°C
 Operating ambient humidity:90%RHmax.(non condensing)
 Insulation resistance : greater than 100Mohm with 500VDC.
 Dielectric strength : 1500VAC@1minute(input to output to power)
 Conversion accuracy : 0.15%max
 Response time : 0-90%(0.5sec)

DIGITAL ALARM SET CONVERTER

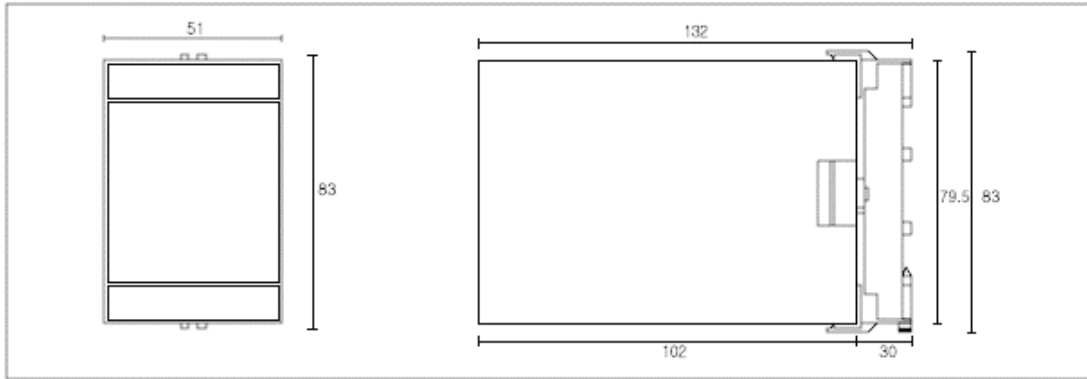
| |
|----------|
| MODEL |
| MR - DAS |

MODEL & SPECIFICATION CODE

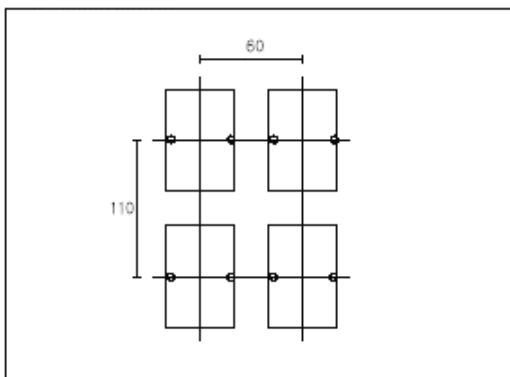


EXTERNAL DIMENSION, TERMINAL ARRANGEMENT & MOUNTING SPACE

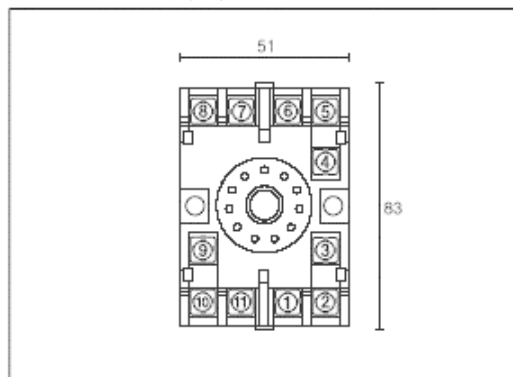
DIMENSION S (mm)



MOUNTING SPACE (mm)

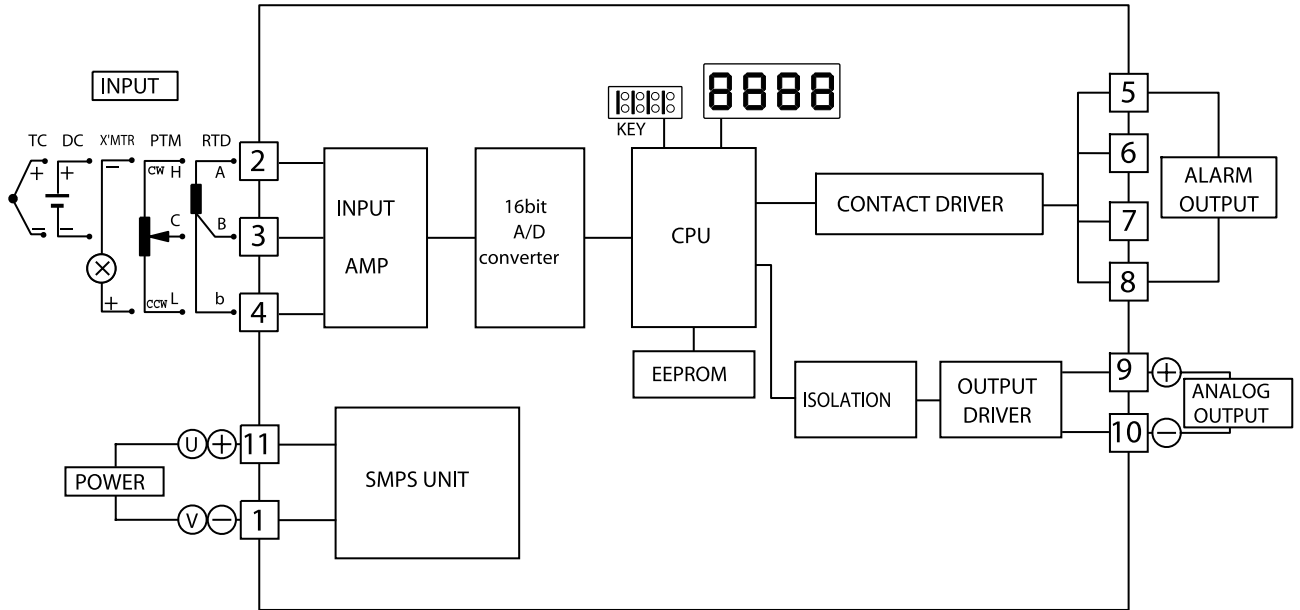


SOCKET DIMENSION S (mm) & TERMINAL ARRANGEMENT



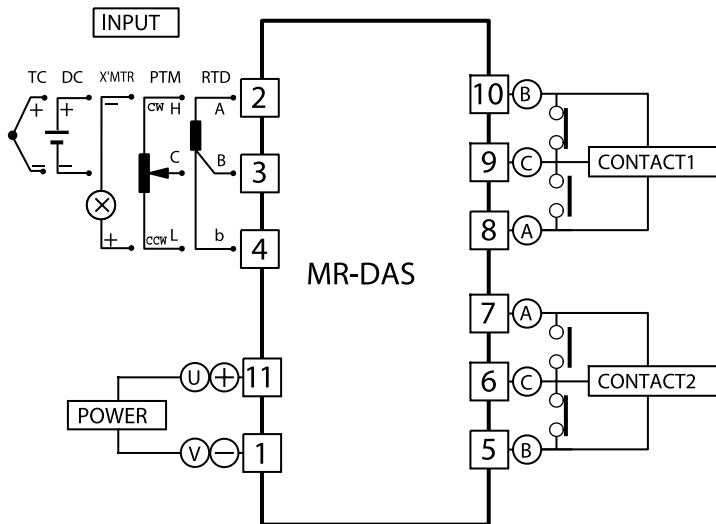
| | |
|-----------------|------------------------------------|
| MODEL MR-DAS | DIGITAL ALARM SET CONVERTER |
|-----------------|------------------------------------|

■ **BLOCK DIAGRAM**



■ **PIN CONNECTION**

1) ALARM 2POINT OUTPUT (2Form C)



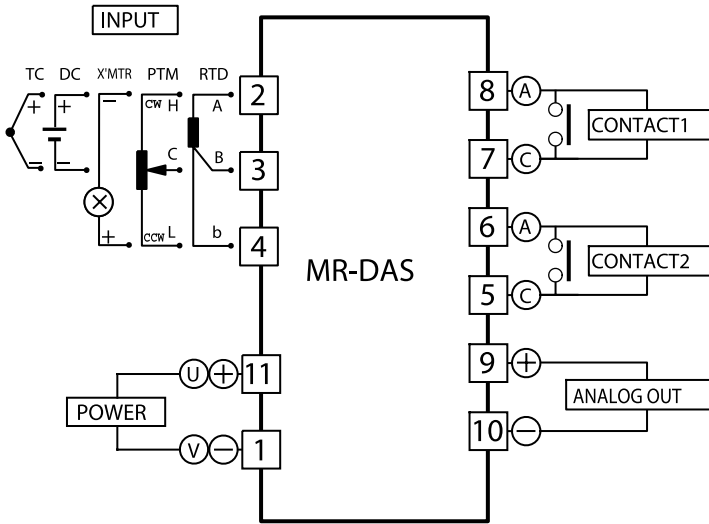
| TYPE | H / L | H / H | L / L |
|----------|-------------|-------------|-------------|
| MODE | _HL_ | _HH_ | _LL_ |
| Contact1 | HIGH | H.HIGH | LOW |
| Contact2 | LOW | HIGH | L.LOW |

DIGITAL ALARM SET CONVERTER

MODEL

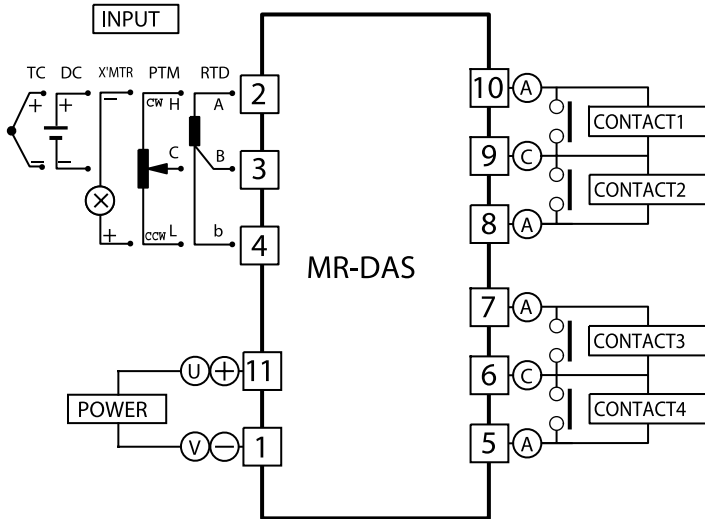
MR-DAS

2) ALARM 2POINT OUTPUT (2Form A) & ANALOG OUTPUT



| TYPE | H/L | H/H | L/L |
|----------|-----------|-----------|-----------|
| MODE | <u>HL</u> | <u>HH</u> | <u>LL</u> |
| Contact1 | HIGH | H.HIGH | LOW |
| Contact2 | LOW | HIGH | L.LOW |

3) ALARM 4POINT OUTPUT (4Form A)



| TYPE | H2/L2 | H4 | L4 | H3/L1 | H1/L3 |
|----------|-------------|-------------|-------------|-------------|-------------|
| MODE | <u>HHLL</u> | <u>HHHH</u> | <u>LLLL</u> | <u>HHHL</u> | <u>HLLL</u> |
| Contact1 | H.H | HHH.H | L | HH.H | H |
| Contact2 | H | HH.H | L.L | H.H | L |
| Contact3 | L | H.H | LL.L | H | L.L |
| Contact4 | L.L | H | LLL.L | L | LL.L |