

MODEL
MR - DSA **DC SIGNAL ALARM SET & DC SIGNAL OUT CONVERTER**



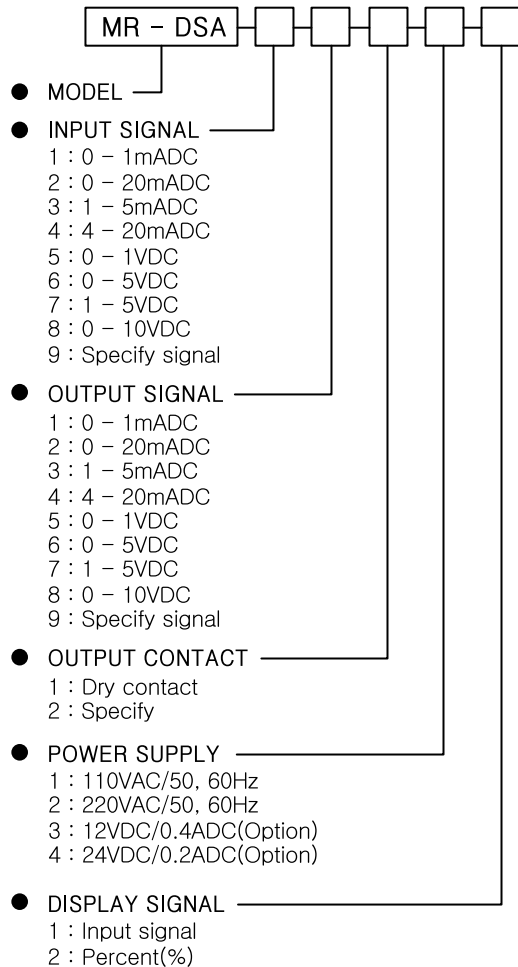
This is a converter to output DC signals insulated from contact output in response of high & low setting valuse at 2 points by inputting DC signal.

본 변환기는 직류신호를 입력하여 2POINT의 HIGH & LOW 설정값에 대한 점점 출력과 절연된 직류신호를 출력하는 변환기 입니다.

■ **DISPLAY**

Type : 3 digit FND
Display font : red super bright
Display function : input or percent(%)
Display error : 1digit(LSB).

■ **MODEL & SPECIFICATION CODE**



■ **FEATURES**

Small size(mm) : 83(H), 51(W), 102(D).
Isolation : input to output to power supply.
Power supply : AC or DC supply.
Wiring : terminal socket wiring.
Case & color : black ABS plastic case.
Weight : about 400g

■ **INPUT SIGNAL SPECIFICATION**

Input voltage signal : -300 ~ 300VDC
Input voltage impedance : 1Mohm min.
Input current signal : 30mADC max.
Input current load resistance : 100ohm max. (at 20mA)

■ **OUTPUT CONTACT SPECIFICATION**

Output type : dry contact or specify.
Output range : 120VAC @ 1A, 30VDC @ 1A.
Dead band : 1% of full scale.

INPUT SIGNAL	ALARM SET CONTACT	
	LOW SET	HIGH SET
DC SIGNAL	DRY CONTACT	DRY CONTACT
2(+), 3(-)	5(A), 6(C)	7(A), 8(C)
L > INPUT < H	ON	OFF
L < INPUT < H	OFF	OFF
L < INPUT > H	OFF	ON
L > INPUT > H	ON	ON

■ **OUTPUT SIGNAL SPECIFICATION**

Output voltage signal : 12VDC max.
Output voltage impedance : 2Kohm min.
Output voltage noise : 10mV p-p max.
Output current signal : 30mADC max.
Output current load resistance : 750ohm max.
Output current noise(250ohm load) : 10mV p-p max.

VOLTAGE OUTPUT		CURRENT OUTPUT	
OUTPUT	IMPEDANCE	OUTPUT	LOAD - R
0 - 1VDC	> 1Kohm	0 - 1mADC	< 15Kohm
0 - 5VDC	> 2Kohm	0 - 20mADC	< 750ohm
1 - 5VDC	> 2Kohm	1 - 5mADC	< 3Kohm
0 - 10VDC	> 4Kohm	4 - 20mADC	< 750ohm

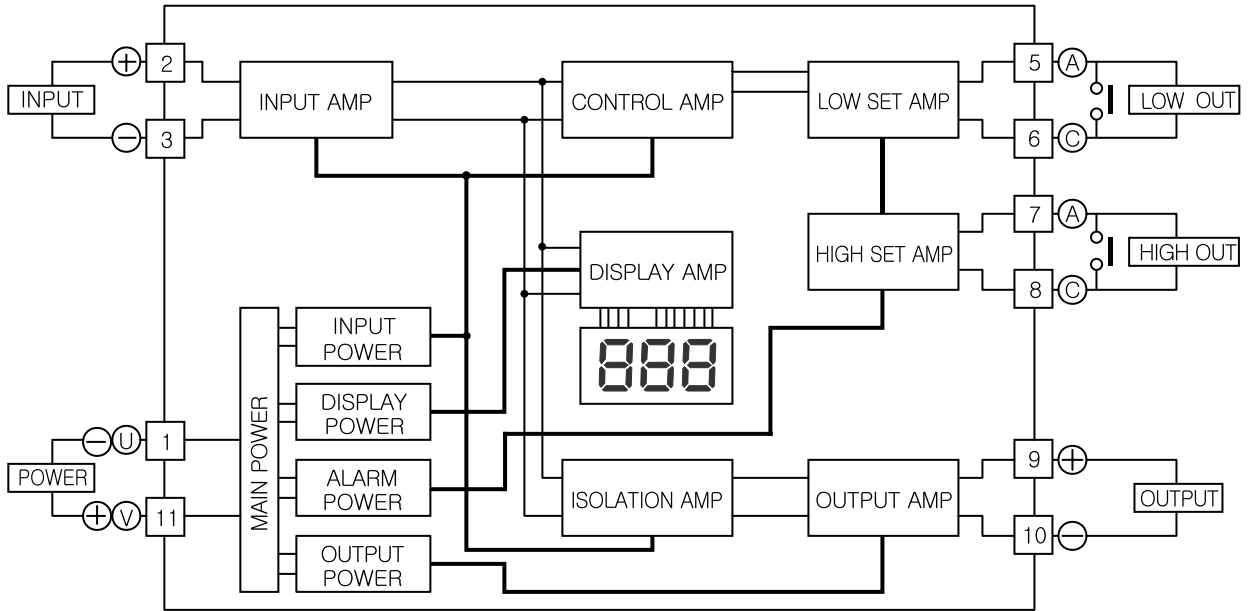
■ **GENERAL SPECIFICATION**

Operating ambient temperature : 0 - 50°C.
Non operating ambient temperature : -20 ~ 80°C.
Temperature coefficient : 0.015%/°C.
Operating ambient humidity : 90% RH max.
(non condensing)
Insulation resistance : greater than 100Mohm with 500VDC.
Dielectric strength : 1500VAC @ 1minute
(input to out1 to out2 to power).
Adjustment range : 0 - 100% (low & high).
Conversion accuracy : 0.15% max.
Response time : 0 - 90%(0.5sec).
Dead band error : 1% max.

DC SIGNAL ALARM SET & DC SIGNAL OUT CONVERTER

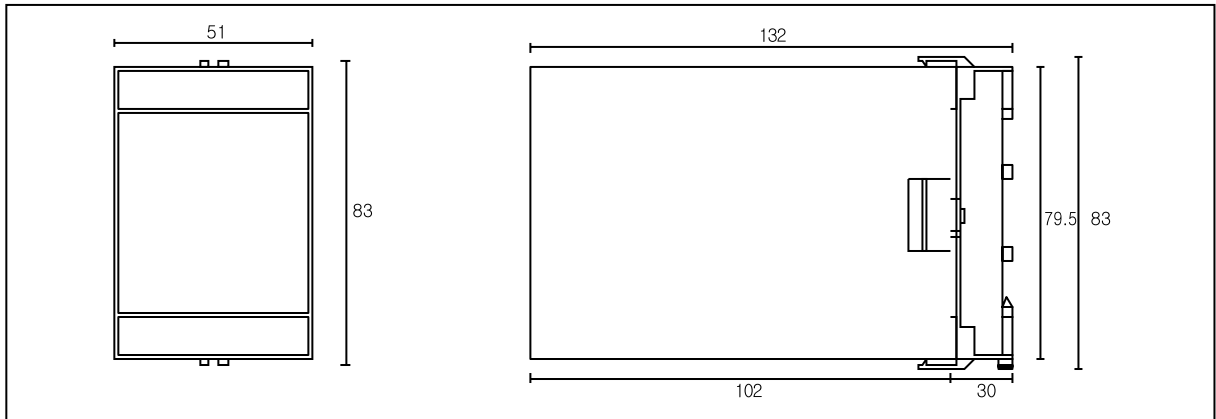
MODEL
MR - DSA

■ BLOCK DIAGRAM & PIN CONNECTION

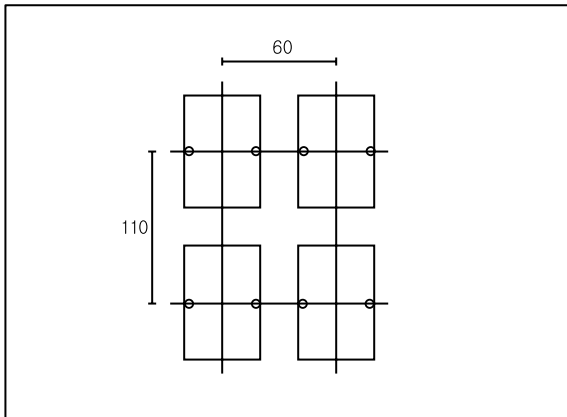


■ EXTERNAL DIMENSION, TERMINAL ARRANGEMENT & MOUNTING SPACE

DIMENSION'S (mm)



MOUNTING SPACE (mm)



SOCKET DIMENSION'S (mm) & TERMINAL ARRANGEMENT

