

MODEL	RTD TEMPERATURE 4-CH ALARM SET CONVERTER
MR - RMS4	



This is a converter used for requiring contact output in response of H.High/High/Low/L.Low setting values at 4points by inputting RTD temperature sensor.

본 변환기는 RTD SENSOR를 입력으로하여 4POINT의 H,H/H/L/L,L의 설정값에 대응한 접점 출력을 필요로 하는 목적에 사용되는 변환기 입니다.

FEATURES

Small size(mm) : 83(H), 51(W), 102(D).
 Isolation : input to output to power supply.
 Power supply : AC or DC supply.
 Wiring : terminal socket wiring.
 Case & color : black ABS plastic case.
 Weight : about 400g

INPUT SIGNAL SPECIFICATION

Input type : 3wire type.
 Input signal : Pt50ohm or Pt100ohm.
 Input range : -200 ~ 600°C.
 EXT current : 1.5mA/5VDC.

OUTPUT SIGNAL SPECIFICATION

Output type : dry contact or specify.
 Output range : 120VAC @ 1A, 30VDC @ 1A.
 Dead band : 1% of full scale.

INPUT SIGNAL	ALARM SET CONTACT	
	L,LOW SET	H,HIGH SET
RTD TEMP'	DRY CONTACT	DRY CONTACT
2(A), 3(B),4(b)	5(A), 6(C), 7(A)	8(A), 9(C), 10(A)
L,L>INPUT<H,H	ON	OFF
L,L<INPUT<H,H	OFF	OFF
L,L<INPUT>H,H	OFF	ON
L,L>INPUT>H,H	ON	ON

GENERAL SPECIFICATION

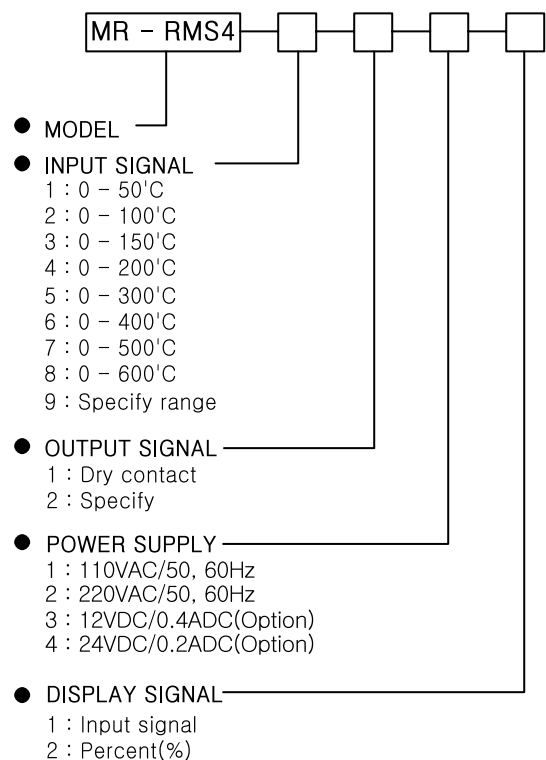
Operating ambient temperature : 0 - 50°C.
 Non operating ambient temperature : -20 ~ 80°C.
 Temperature coefficient : 0.015%/°C.
 Operating ambient humidity : 90% RH max.(non condensing)
 Insulation resistance : greater than 100Mohm with 500VDC.
 Dielectric strength : 1500VAC @ 1minute
 (input to output to power).

Adjustment range : 0 - 100% (low & high).
 Conversion accuracy : 0.15% max.
 Response time : 0 - 90%(0.5sec).
 Dead band error : 1% max.

DISPLAY

Type : 3 digit FND
 Display font : red super bright
 Display function : input or percent(%)
 Display error : 1digit(LSB).

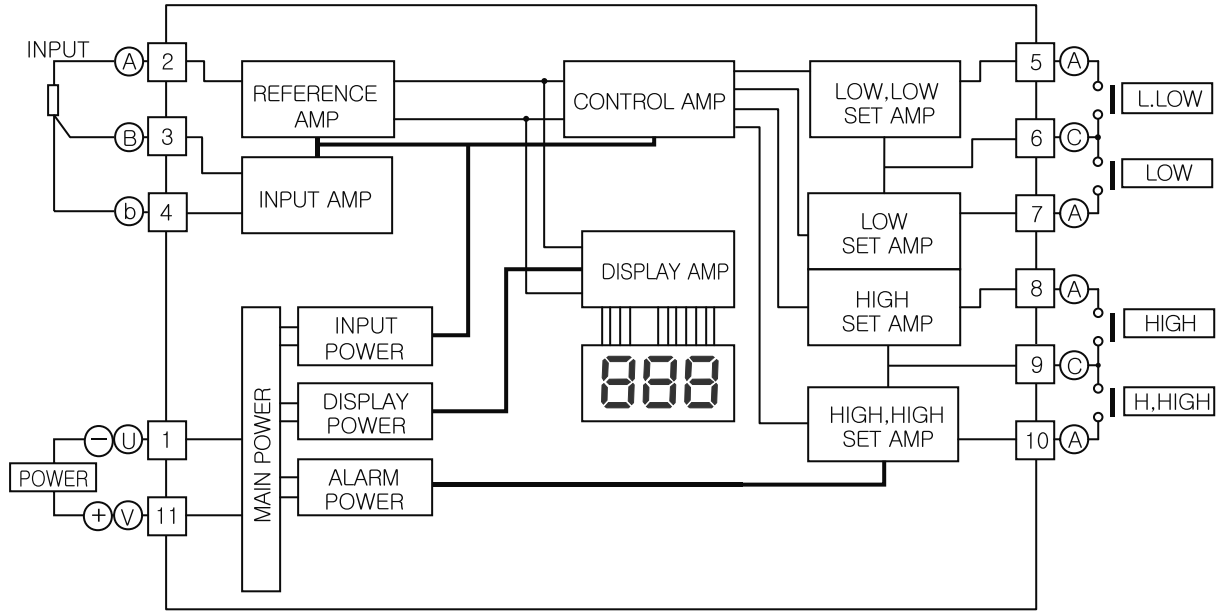
MODEL & SPECIFICATION CODE



RTD TEMPERATURE 4-CH ALARM SET CONVERTER

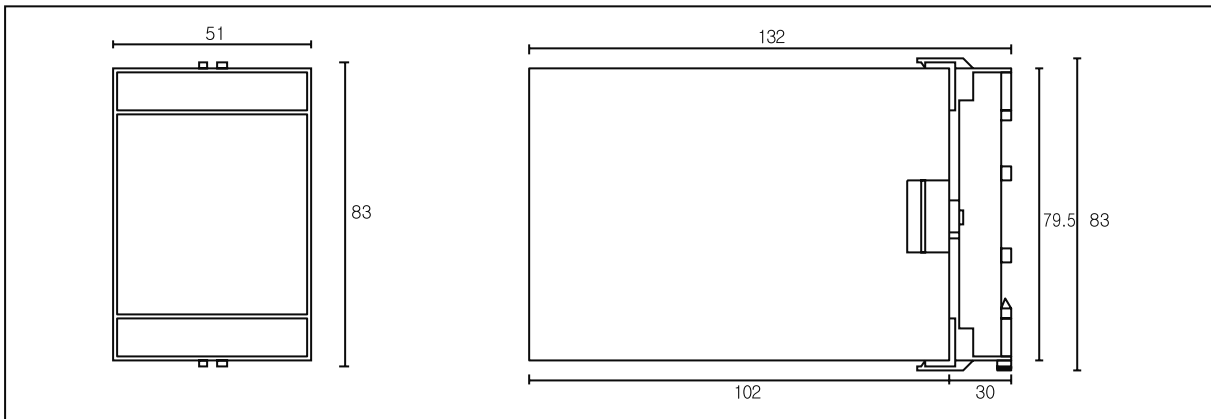
MODEL
MR - RMS4

BLOCK DIAGRAM & PIN CONNECTION

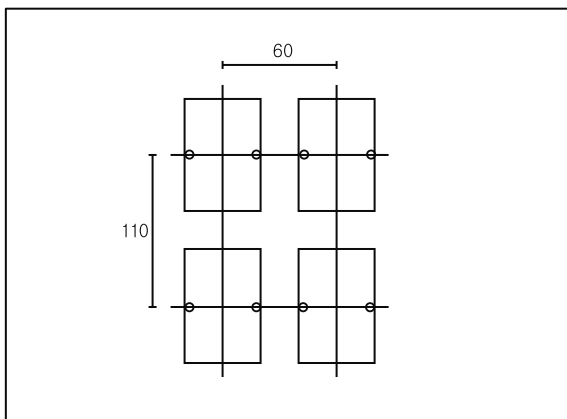


EXTERNAL DIMENSION, TERMINAL ARRANGEMENT & MOUNTING SPACE

DIMENSION'S (mm)



MOUNTING SPACE (mm)



SOCKET DIMENSION'S (mm) & TERMINAL ARRANGEMENT

