

MODEL

MR - TMS

## DISPLAY & THERMOCOUPLE ALARM SET CONVERTER



This is a converter used for requiring contact output in response of high & low setting values at 2points by inputting Thermocouple .

본 변환기는 THERMOCOUPLE SENSOR를 입력하여 2POINT의 HIGH & LOW 설정값에 대응한 접점 출력을 필요로 하는 목적에 사용되는 변환기 입니다.

### FEATURES

Small size(mm) : 83(H), 51(W), 102(D).  
 Isolation : input to output to power supply.  
 Power supply : AC or DC supply.  
 Wiring : terminal socket wiring.  
 Case & color : black ABS plastic case.  
 Weight : about 400g

### INPUT SIGNAL SPECIFICATION

Input type : thermo couple sensor.  
 Input range : -200 ~ 1700°C  
 Input impedance : 1Mohm min.  
 Cold junction temperature range : 0 - 100°C.

### OUTPUT SIGNAL SPECIFICATION

Output type : dry contact or specify.  
 Output range : 120VAC @ 1A, 30VDC @ 1A.  
 Dead band : 1% of full scale.

INPUT SIGNAL	ALARM SET CONTACT	
	LOW SET	HIGH SET
THERMOCOUPLE	DRY CONTACT	DRY CONTACT
2(+), 3(-)	5(B), 6(C), 7(A)	8(A), 9(C), 10(B)
L > INPUT < H	ON	OFF
L < INPUT < H	OFF	OFF
L < INPUT > H	OFF	ON
L > INPUT > H	ON	ON

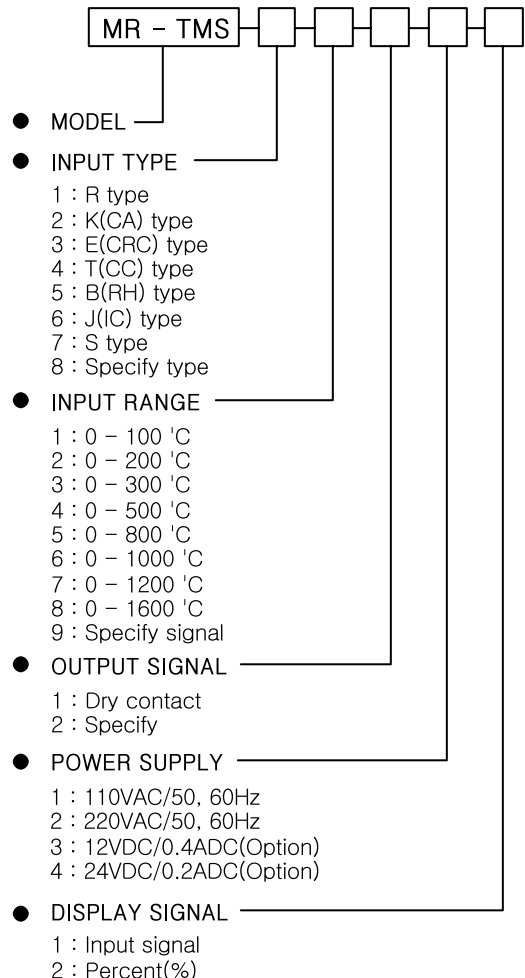
### GENERAL SPECIFICATION

Operating ambient temperature : 0 - 50°C.  
 Non operating ambient temperature : -20 ~ 80°C.  
 Temperature coefficient : 0.015%/°C.  
 Operating ambient humidity : 90% RH max.(non condensing)  
 Insulation resistance : greater than 100Mohm with 500VDC.  
 Dielectric strength : 1500VAC @ 1minute  
 (input to output to power).  
 Adjustment range : 0 - 100% (low & high).  
 Conversion accuracy : 0.15% max.  
 Response time : 0 - 90%(0.5sec).  
 Dead band error : 1% max.

### DISPLAY

Type : 3 digit FND  
 Display font : red super bright  
 Display function : input or percent(%).  
 Display error : 1 digit(LSB).

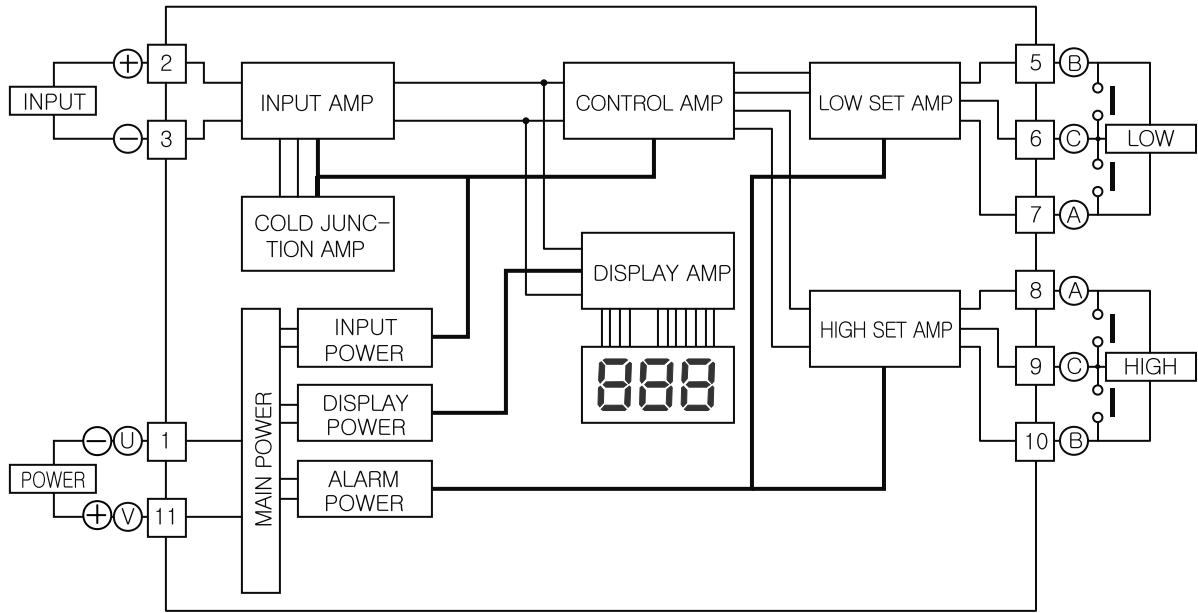
### MODEL & SPECIFICATION CODE



# DISPLAY & THERMOCOUPLE ALARM SET CONVERTER

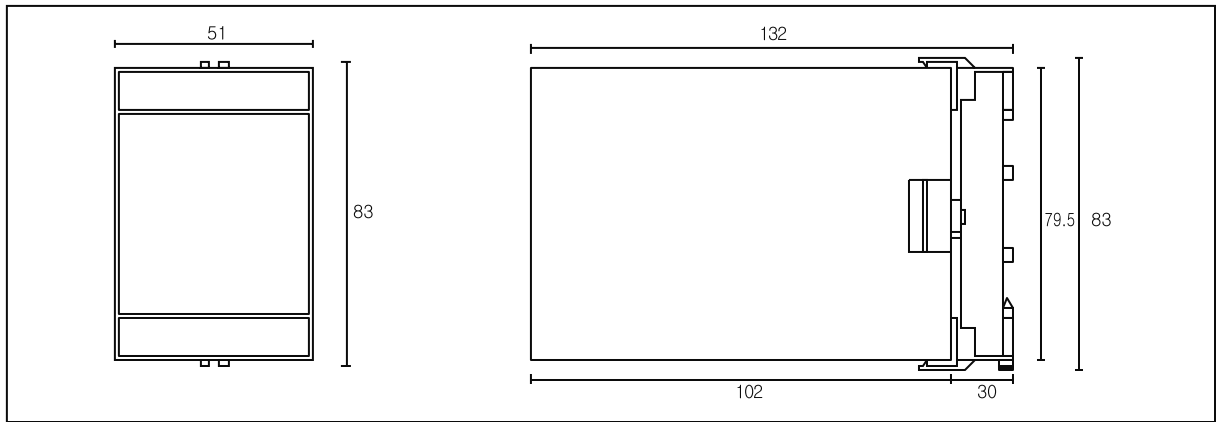
MODEL  
MR - TMS

## ■ BLOCK DIAGRAM & PIN CONNECTION

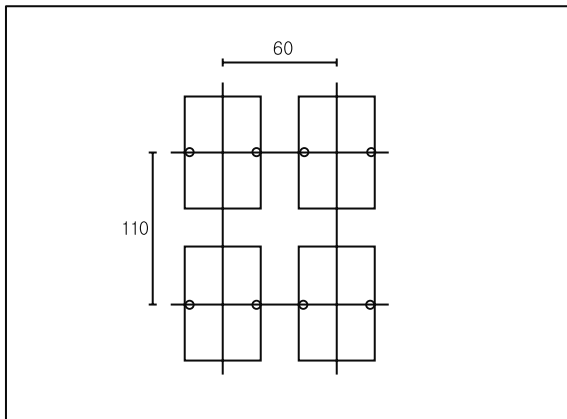


## ■ EXTERNAL DIMENSION, TERMINAL ARRANGEMENT & MOUNTING SPACE

DIMENSION'S (mm)



MOUNTING SPACE (mm)



SOCKET DIMENSION'S (mm) & TERMINAL ARRANGEMENT

