

MODEL MA-ISO/2	SIGNAL ISOLATOR CONVERTER
--------------------------	----------------------------------



This is a converter used for transmitting or converting DC signal.

With built-in noise removal filter, transfers correct signal, and precision isolation circuits enable perfect signal transfer not affected by withstand insulation voltage, transfer speed, noise, etc.

본 변환기는 직류신호를 전송, 또는 변환하기 위한 목적으로 사용되는 변환기입니다.

NOISE제거 FILTER를 내장하여 정확한 신호전송을 하며, 정밀 ISOLATION회로는 절연내압, 속도, NOISE등의 영향없는 완벽한 신호전달을 가능하게 합니다.

■ GENERAL SPECIFICATION

Construction : wall mount(M4 Screw)
 Housing material : aluminium(Black)
 Wiring : screw terminals on housing (M3)
 Isolation : input /output /power
 Weight :about 500g

■ PERFORMANCE

Insulation resistance : greater than 100Mohm with 500V/DC
 Dielectric strength : 1500VAC at 1 Min (input/ output/ power)
 Line voltage effect : $\pm 0.1\%$ over voltage range
 Accuracy : $\pm 0.15\%$
 Response time : 0.5SEC/ 0~90%

■ INSTALLATION

Operating temperature : $-5\sim 55^{\circ}\text{C}$
 Operating humidity : 30~90%RH
 Power Input : AC-rating $\pm 10\%$ 60% $\pm 2\text{Hz}$, Approx. 3VA
 DC-rating $\pm 10\%$ (ripple 5% p-p Max)
 approx 2.2W (90mA at 24V)

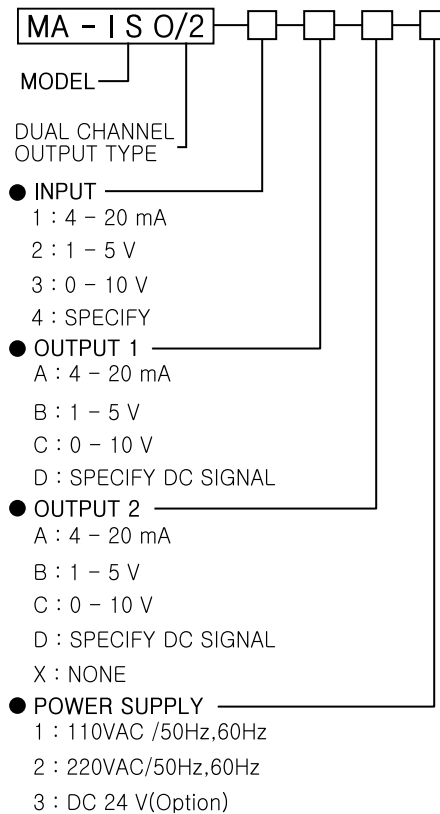
■ INPUT / OUTPUT

● INPUT

DC Current : shunt resistor attached to internal PCB	DC Voltage : $-300\sim +300\text{V/DC}$
INPUT Resistance (Specify when ordering)	Min. SPAN : 5 mV
	LOAD Resistance (Specify when ordering)

INPUT	Input Resistance	INPUT	Input Resistance
4 - 20mA	250 ohm	1 - 5 V	1 Mohm Min.
0 - 20mA	250 ohm	0 - 10 V	1 Mohm Min.
0 - 10mA	250 ohm	0 - 10mV	10 Kohm Min.

■ MODEL & ORDER SPECIFICATION



● OUTPUT

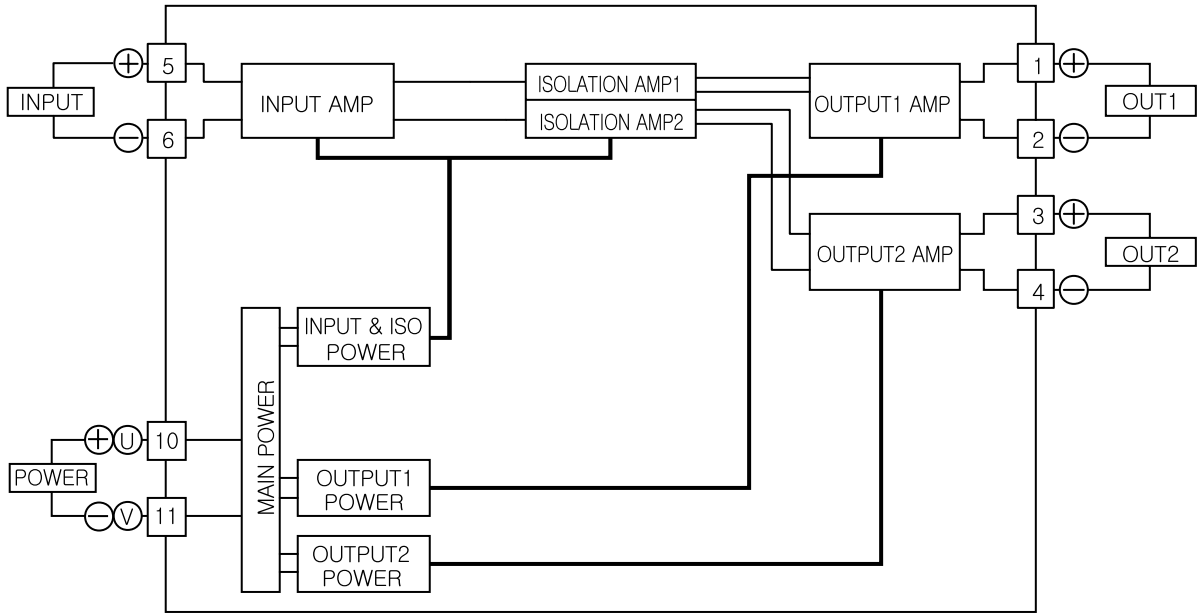
DC Current : 0 ~ 20 mA	DC Voltage : $-10 \sim +12\text{V}$
Min. SPAN : 1 mA	Min. SPAN : 5 mV
LOAD Resistance : OUTPUT - DRIVE DC 24V Max.	LOAD Resistance : OUTPUT - DRIVE 10mA Max.

OUTPUT	Load Resistance	OUTPUT	Load Resistance
4 - 20mA	1200 ohm Max.	1 - 5 V	500 ohm Min.
0 - 20mA	1200 ohm Max.	0 - 10 V	1 Kohm Min.
0 - 10mA	2400 ohm Max.	0 - 10mV	10 Kohm Min.

SIGNAL ISOLATOR CONVERTER

MODEL
MA-ISO/2

■ BLOCK DIAGRAM & PIN CONNECTION



■ EXTERNAL DIMENSION

