

MODEL
SC - ISO

SLIM TYPE SIGNAL ISOLATOR CONVERTER



This is a converter used for transmitting or converting DC signal.

With built-in noise removal filter, transfers correct signal, and precision isolation circuits enable perfect signal transfer not affected by withstand insulation voltage, transfer speed, noise, etc.

본 변환기는 직류신호를 전송, 또는 변환하기 위한 목적으로 사용되는 변환기입니다.

NOISE제거 FILTER를 내장하여 정확한 신호전송을 하며, 정밀 ISOLATION회로는 절연내압, 속도, NOISE등의 영향없는 완벽한 신호전달을 가능하게 합니다.

FEATURES

Small size(mm) : 75(H), 22.5(W), 100(D).
Isolation : input to output to power supply.
Power supply : AC or DC supply.
Wiring : terminal wiring.
Case & color : gray Polyamide UL 94. V2.
Weight : about 100g.

INPUT SIGNAL SPECIFICATION

Input voltage signal : -300 ~ 300VDC
Input voltage impedance : 1Mohm min.
Input current signal : 30mADC max.
Input current load resistance : 100ohm max.(at 20mA)

OUTPUT SIGNAL SPECIFICATION

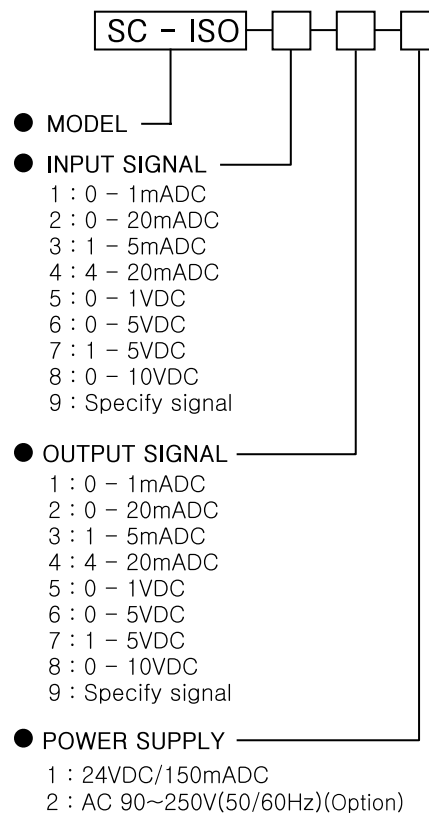
Output voltage signal : 12VDC max.
Output voltage impedance : 2kohm min.
Output voltage noise : 10mV p-p max.
Output current signal : 30mADC max.
Output load resistance : 750ohm max.
Output current noise(250ohm load) : 10mV p-p

OUTPUT	IMPEDANCE	OUTPUT	LOAD - R
0 - 1VDC	> 1Kohm	0 - 1mA	< 15Kohm
0 - 5VDC	> 2Kohm	0 - 20mA	< 750ohm
1 - 5VDC	> 2Kohm	1 - 5mA	< 3Kohm
0-10VDC	> 4Kohm	4 - 20mA	< 750ohm

GENERAL SPECIFICATION

Operating ambient temperature : 0 - 50°C.
Non operating ambient temperature : -20 ~ 80°C.
Temperature coefficient : 0.02%/°C
Operating ambient humidity : 90% RH max.(non condensing)
Insulation resistance : greater than 100Mohm with 500VDC.
Dielectric strength : 1500VAC @ 1minute (input to output to power).
Adjustment range : 20% (zero & span) min.
Conversion accuracy : 0.15% max.
Response time : 0 - 90%(0.5sec).

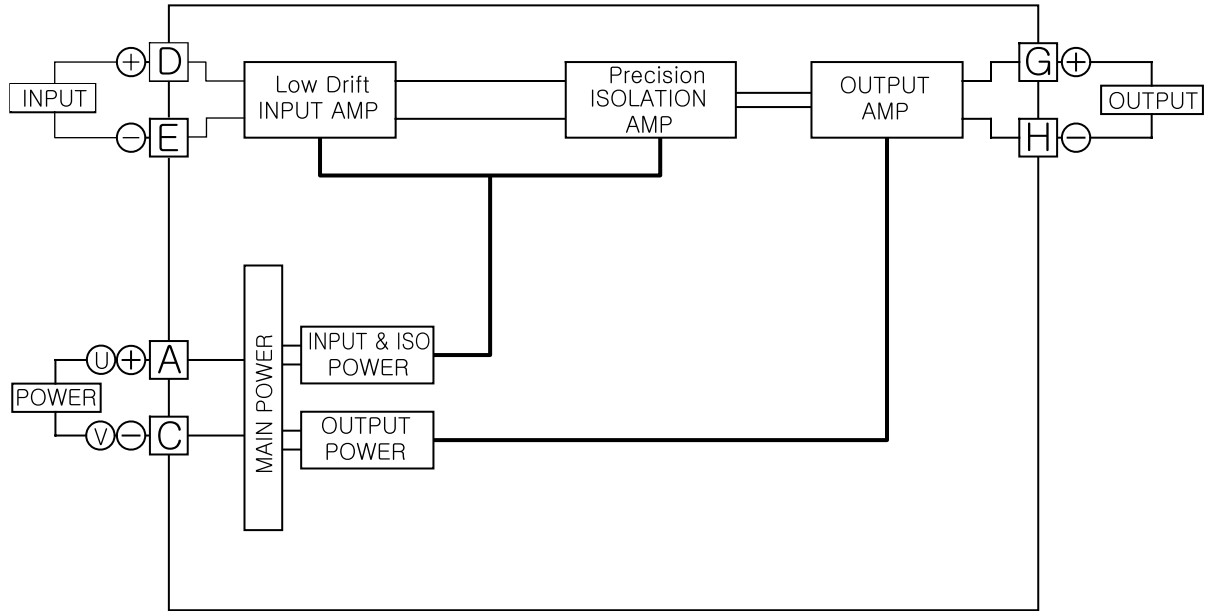
MODEL & SPECIFICATION CODE



SLIM TYPE SIGNAL ISOLATOR CONVERTER

MODEL
SC - ISO

■ BLOCK DIAGRAM & PIN CONNECTION



■ EXTERNAL DIMENSION

DIMENSION'S (mm)

