

MODEL	<b>SLIM TYPE POTENTIOMETER CONVERTER</b>
SC - PMC	



This is a converter used for converting to DC signal by using input source of a potentiometer. With built-in noise removal filter, transfers correct signal, and precision isolation circuits enable perfect signal transfer not affected by withstand insulation voltage, transfer speed, noise, etc.

본 변환기는 가변저항기(Potentiometer)를 입력신호원으로 하여, 직류신호로 변환하는 목적으로 사용되는 변환기입니다. 정밀 ISOLATION회로를 채용절연내압, 전달속도 NOISE등의 영향 없는 신호변환을 가능하게 합니다.

## ■ FEATURES

Small size(mm) : 75(H), 22.5(W), 100(D).  
 Isolation : input to output to power supply.  
 Power supply : AC or DC supply.  
 Wiring : terminal wiring.  
 Case & color : gray Polyamide UL 94. V2.  
 Weight : about 100g

## ■ INPUT SIGNAL SPECIFICATION

Input type : 2wire or 3wire type  
 Input signal : potentiometer (volume)  
 Input range : 100ohm ~ 2Mohm  
 EXT power : 5VDC

## ■ OUTPUT SIGNAL SPECIFICATION

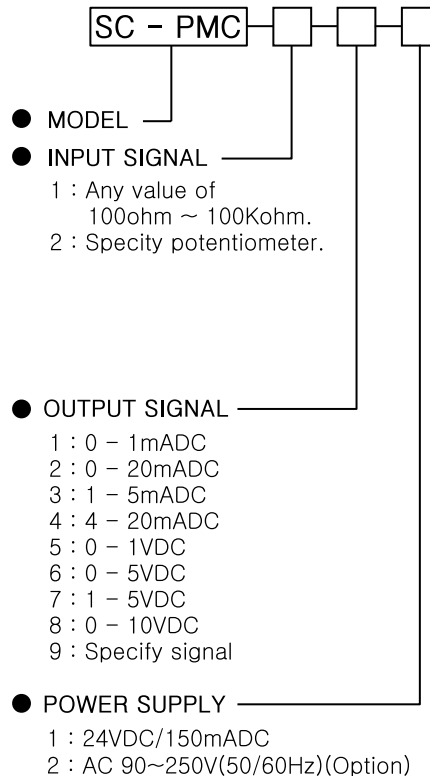
Output voltage signal : 12VDC max.  
 Output voltage impedance : 2Kohm min.  
 Output voltage noise : 10mV p-p max.  
 Output current signal : 30mADC max.  
 Output load resistance : 750ohm max.  
 Output current noise(250ohm load) : 10mV p-p.

OUTPUT	IMPEDANCE	OUTPUT	LOAD - R
0 - 1VDC	> 1Kohm	0 - 1mA	< 15Kohm
0 - 5VDC	> 2Kohm	0 - 20mA	< 750ohm
1 - 5VDC	> 2Kohm	1 - 5mA	< 3Kohm
0-10VDC	> 4Kohm	4 - 20mA	< 750ohm

## ■ GENERAL SPECIFICATION

Operating ambient temperature : 0 - 50°C.  
 Non operating ambient temperature : -20 ~ 80°C.  
 Temperature coefficient : 0.02%/°C  
 Operating ambient humidity : 90% RH max.(non condensing)  
 Insulation resistance : greater than 100Mohm with 500VDC.  
 Dielectric strength : 1500VAC @ 1minute (input to output to power).  
 Adjustment range : 20% (zero & span) min.  
 Conversion accuracy : 0.15% max.  
 Response time : 0 - 90%(0.5sec).

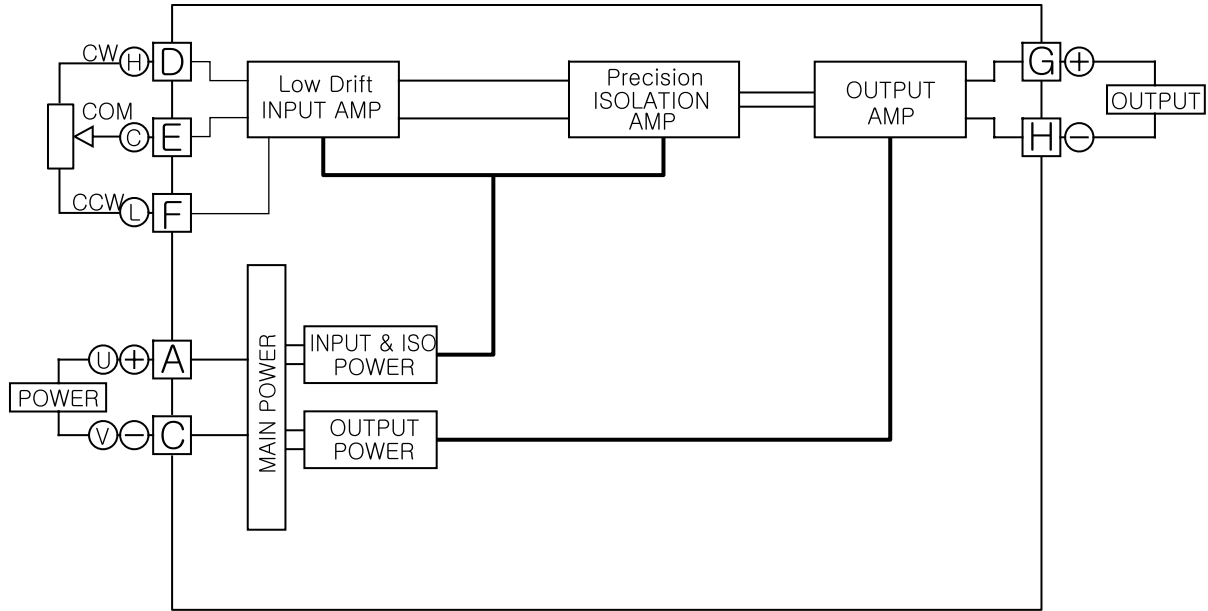
## ■ MODEL & SPECIFICATION CODE



## SLIM TYPE POTENTIOMETER CONVERTER

MODEL  
SC - PMC

### ■ BLOCK DIAGRAM & PIN CONNECTION



### ■ EXTERNAL DIMENSION

DIMENSION'S (mm)

