

MODEL

SC - FDC

## SLIM TYPE FREQUENCY CONVERTER



This is a converter to convert various types of frequency signal to DC signal. With filter circuits to remove signal noise, the SC-FDC executes correct signal transfer and is applied to a device to output pulse such volume, position control.

본 변환기는 FREQUENCY 입력을 받아 직류신호로 변환하는 슬림형 변환기입니다.

NOISE FILTER회로를 내장하여 정확한 신호를 전달합니다. 입력펄스에 대한 1 : 1 펄스 출력이 가능합니다.(OPTION)

### FEATURES

Small size(mm) : 75(H), 22.5(W), 100(D).  
 Isolation : input to output to power supply  
 Power supply : AC or DC supply.  
 Wiring : terminal wiring.  
 Case & color : gray Polyamide UL 94. V2.  
 Weight : about 100g

### INPUT SIGNAL SPECIFICATION

Input signal : Frequency (pulse)  
 Input type : voltage pulse, current pulse,  
 open collector pulse, dry contact pulse.  
 Input range : 10KHz max.  
 EXT Power : 12VDC max.

### OUTPUT SIGNAL SPECIFICATION

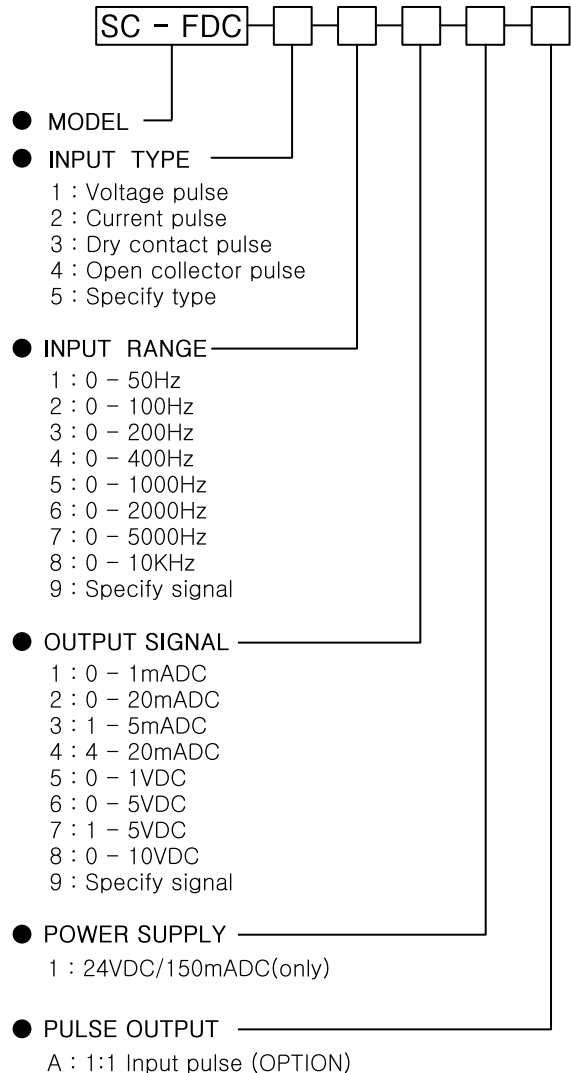
Output voltage signal : 12VDC max.  
 Output voltage impedance : 2Kohm min.  
 Output voltage noise : 10mV p-p max.  
 Output current signal : 30mADC max.  
 Output load resistance : 750ohm max.  
 Output current noise(250ohm load) : 10mV p-p.

OUTPUT	IMPEDANCE	OUTPUT	LOAD - R
0 - 1VDC	> 1Kohm	0 - 1mA	< 15Kohm
0 - 5VDC	> 2Kohm	0 - 20mA	< 750ohm
1 - 5VDC	> 2Kohm	1 - 5mA	< 3Kohm
0-10VDC	> 4Kohm	4 - 20mA	< 750ohm

### GENERAL SPECIFICATION

Operating ambient temperature : 0 - 50°C.  
 Non operating ambient temperature : -20 ~ 80°C.  
 Temperature coefficient : 0.02%/°C  
 Operating ambient humidity : 90% RH max.(non condensing)  
 Insulation resistance : greater than 100Mohm with 500VDC.  
 Dielectric strength : 1500VAC @ 1minute  
 (input to output to power).  
 Adjustment range : 20% (zero & span) min.  
 Conversion accuracy : 0.15% max.  
 Response time : 0 - 90%(0.5sec).  
 Linearity : 0.2% max.

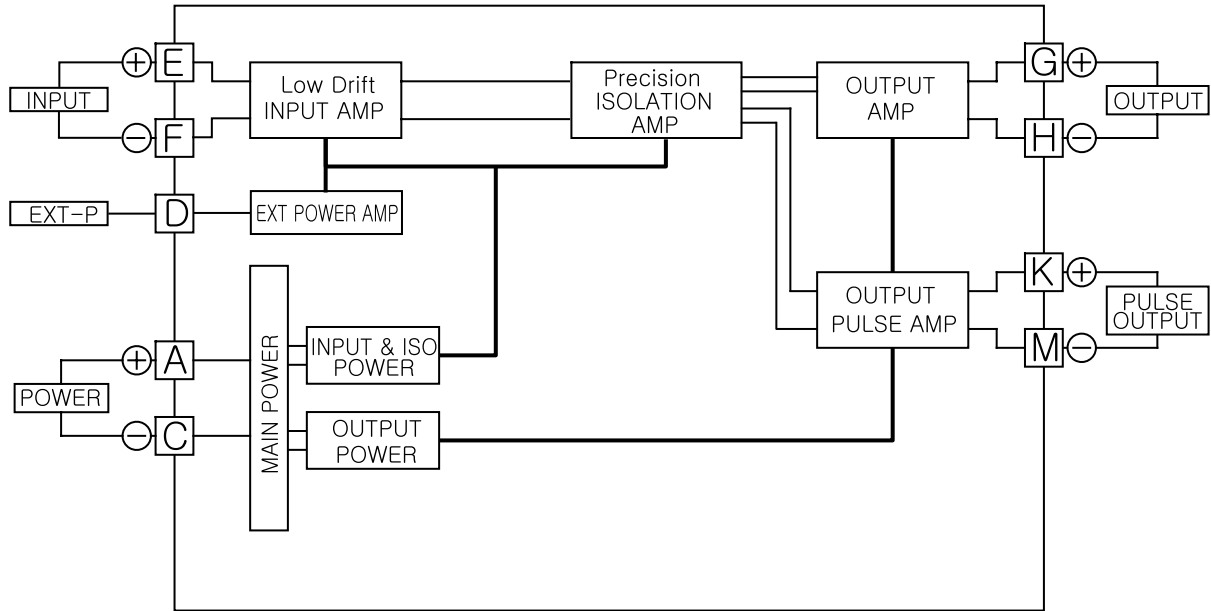
### MODEL & SPECIFICATION CODE



## SLIM TYPE FREQUENCY CONVERTER

MODEL  
SC - FDC

### ■ BLOCK DIAGRAM & PIN CONNECTION



### ■ EXTERNAL DIMENSION

DIMENSION'S (mm)

