

MODEL	2 WIRE TRANSMITTER (Head Type)
MR - 2WXX	



This is a standard type of transmitter with built-in head.
본변환기는 헤드내장형의 표준형 2WIRE TRANSMITTER 입니다.

■ GENERAL SPECIFICATION

Construction : head mount
Housing material : plastic (black)
Wiring : screw terminals on P.C.B (M2.5)
Isolation : none isolation
Weight : about 80g

■ PERFORMANCE

Insulation resistance : greater than 100Mohm with 500V/DC
Dielectric strength : 1500VAC at 1Min (input, output/housing)
Accuracy : $\pm 0.2\%$ Max.
Response time : 0.5 Sec. /0~90%

■ INSTALLATION

Operating temperature : $-5 \sim 55^{\circ}\text{C}$
Operating humidity : 30 ~ 90 %RH
Mounting : head mount
Power input : DC 18~28V (Ripple 5%p-p Max.)

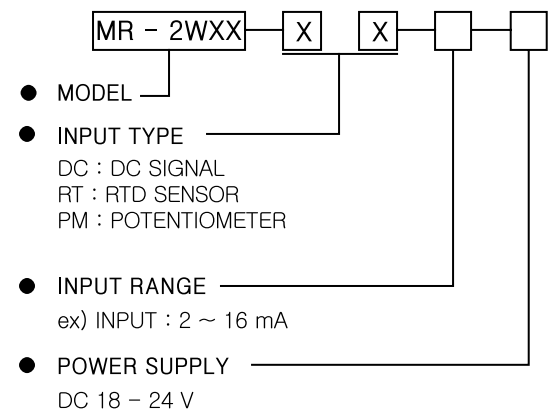
■ INPUT SIGNAL

DC CURRENT : Shunt Resistor attached to Internal PCB
Input resistance : 250ohm less (Specify when ordering)
DC VOLTAGE : $-300 \sim +300\text{V/DC}$
Min. Span : 5mV
Input resistance : 10Kohm more (Specify when ordering)

■ OUTPUT SIGNAL

DC CURRENT : 4 - 20 mA
Min. Span : 4mA
Load resistance : 650ohm at 20mA

■ MODEL & SPECIFICATION CODE



2 WIRE TRANSMITTER (Head Type)

MODEL
MR - 2WXX

■ DIMENSION

