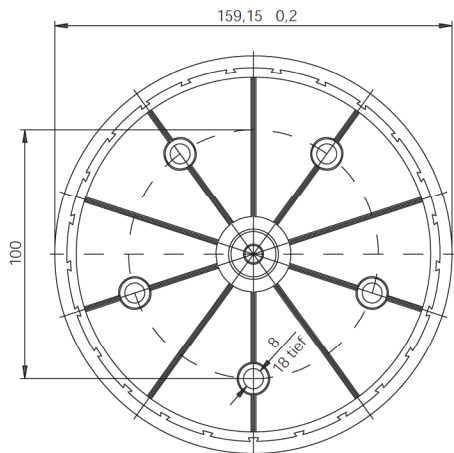
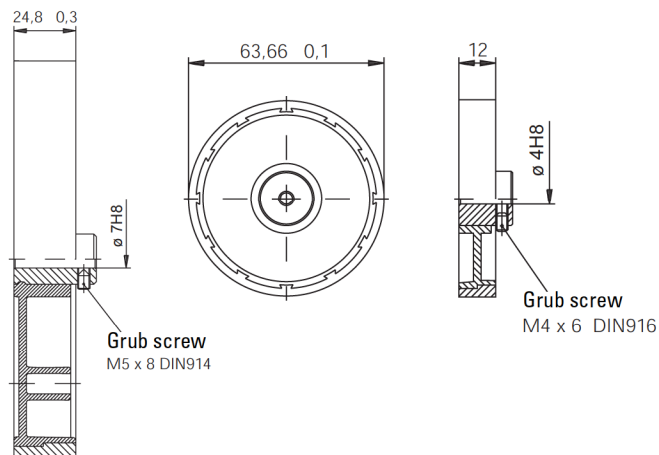


### Measuring wheels

Dimensions:  
Type 3542 and 3592



Dimensions:  
Type 3241 and 3291



### Mini Measurement System

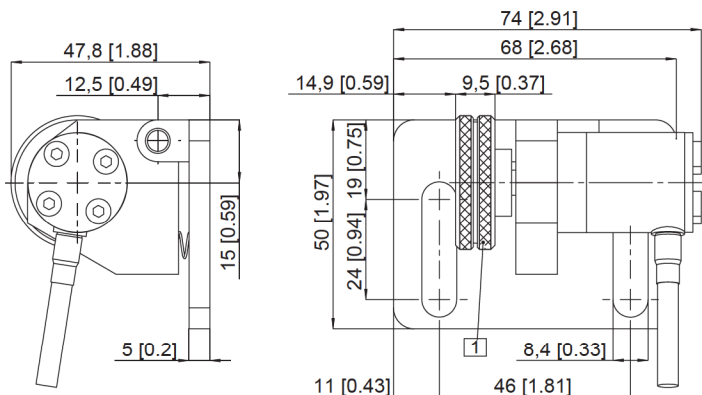


- With incremental interface
- Very compact (74 mm x 50 mm x 52 mm)
- Easy to install, one unit
- Fix, connect, ready-to-go
- Measuring wheel circumference 100 mm
- Resolution 0.1 mm
- Cable outlet radial, 2 m PVC cable

Speed max. 2000/min.  
Protection: IP 64  
Output circuit: Push-pull with inversion  
Power supply: 8 ... 30 V DC  
Current: ≤ 20 mA  
Load Channel max.: 20 mA  
Output frequency max.: ≥ 100 kHz

Order code: 05.2400.0040.1000.5045

Dimensions:



1 Knurl AA1, 2