

MODEL	RTD-SENSOR LINE USE ARRESTER
MAR-PT	



This product is manufactured to protect site instruments and precision instruments from threatened disaster factor such as surge, high-voltage noise and lightning applied to the RTD-sensor signal transmitting lines of various magnetic field instruments.

본제품은 각종 계장기기의 축온저항체전송선로에 인가되는 써지, 고압노이즈, 낙뢰등의 위협적인 장애요소로부터 현장 계기 및 정밀 계측기기를 보호하는 목적으로 제작되었습니다.

■ FEATURES

Small size(mm) : 99(H), 25(W), 61(D).
 Case & color : black ABS plastic case.
 Weight : about 80g.

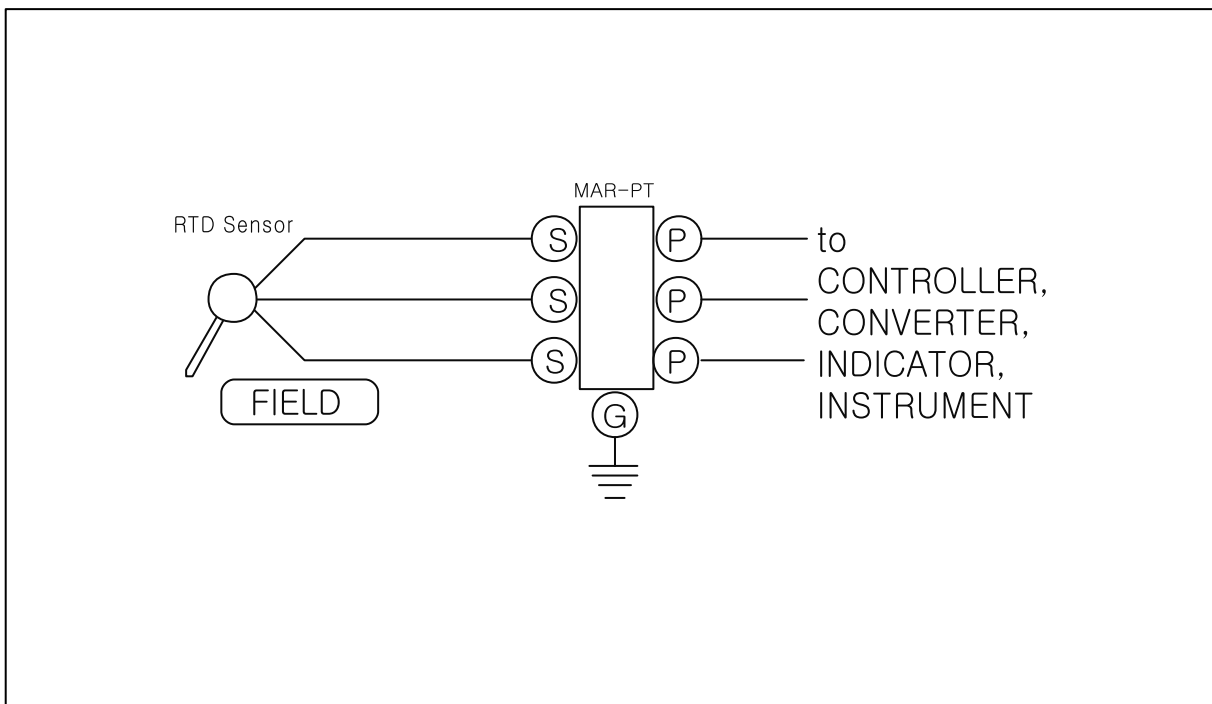
■ INSTALLATION

Operating temperature : -5~+55'C
 Operating humidity : 90%RHmax.(non condensing)
 Mounting : channel mount (rail type)

■ MODEL & SPECIFICATION CODE

- MODEL : MAR-PT
- Discharge voltage
 between lines : 3V or more
 between line & GND : 500V or less
- Max. surge voltage
 between lines : 16V or less
- Response time : 0.1microseconds or less
- Discharge current : 10KA (8X20 microseconds)
- Max. load current : 100mA
- Internal series resistance : approx. 10ohm 0.1%
- Promissible leakage Current
 between lines : 2 μ A or less (at 3V DC)
 between line & GND : 2 μ A or less (at 140V DC)
- Capacity between lines : 1 μ F or less
- Max. line voltage : 3V

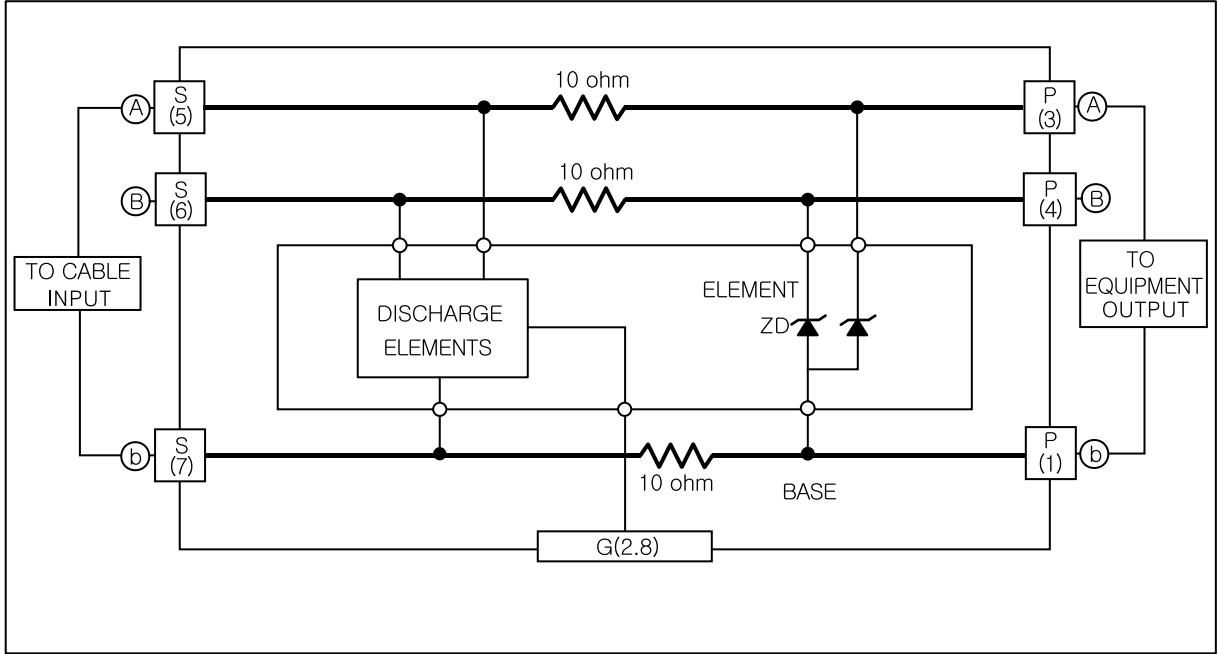
■ CONNECTION DIAGRAM



RTD-SENSOR LINE USE ARRESTER

MODEL
MAR-PT

■ BLOCK DIAGRAM & PIN CONNECTION



■ EXTERNAL DIMENSION

DIMENSION'S (mm)

