

MODEL	DUAL SIGNAL LINE USE ARRESTER
MAR-24D	



Designed specifically for 4-20mA DC and pulse signal line including 4-wire and DUAL 2-wire transmitters.

Absorbing surges only without affecting instrumentation signal.
1-body include 2 X (MAR-24)

본 제품은 각종 계장기기의 신호전송선로에 인가되는 써지, 고압노이즈, 낙뢰등의 위협적인 장애요소로부터 현장계기 및 정밀계측기기를 보호하는 목적으로 제작되었습니다.

한 개의 제품으로 두 개의 신호용어레스터를 사용할 수 있습니다.

FEATURES

- Small size(mm):75(H), 22.5(W), 102(D).
- Case & color:Gray Polyamide plastic case.
- Weight:about 100g

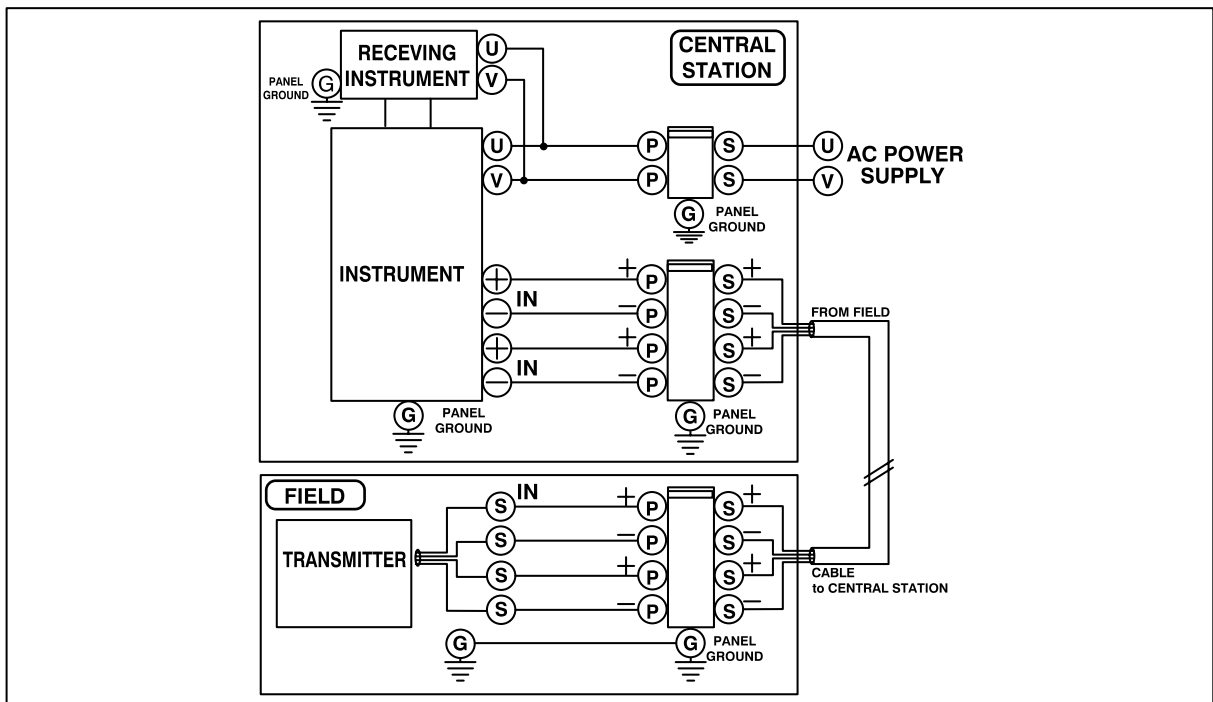
INSTALLATION

- Operating temperature:-10~+70°C
- Operating humidity:90%RHmax.(non condensing)
- Mounting:channel mount

MODEL & SPECIFICATION CODE

- MODEL : MAR-24D
- Discharge Voltage
btwn lines : 30V or more
btwn line & gnd : 500V or less
- Max. Surge Voltage
40V or less (btwn lines)
- Response Time : 0.1microseconds or less
- Discharge current : 10,000A(8X20uS)
- Max. Load Current : 1000mA
- Internal Series Resistance : Approx. 20ohm
- Promissible Leakage Current
btwn lines : 5uA or less(at 30V DC)
btwn line & gnd : 5uA or less (at 140V DC)
- Capacity Btwn Lines : 1uF
- Max. Line Voltage : 30V

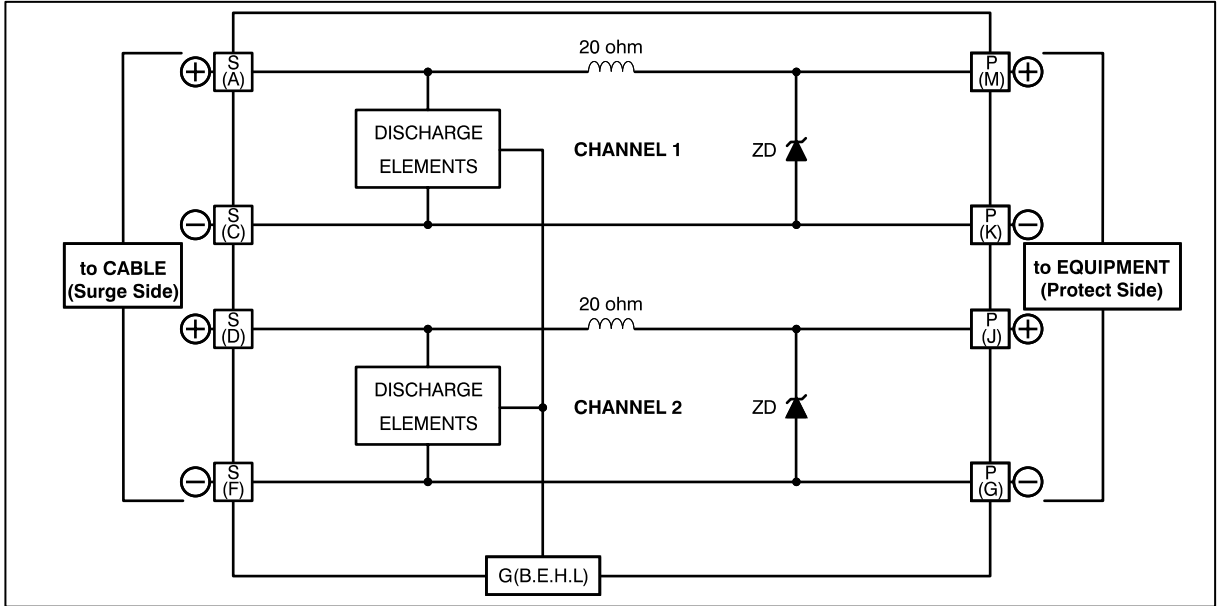
CONNECTION DIAGRAM



DUAL SIGNAL LINE USE ARRESTER

MODEL
MAR-24D

■ **BLOCK DIAGRAM & PIN CONNECTION**



■ **EXTERNAL DIMENSION**

DIMENSION'S (mm)

