

Absolute Encoders - Singleturn

Standard, optical

Sendix 5858 / 5878 (Shaft / Hollow shaft)

CANopen



The singleturn encoders 5858 and 5878 with CANopen interface and optical sensor technology are ideal for use in all CANopen applications.

They offer a maximum resolution of 16 bits, divided over 360°. These encoders are available with blind hollow shaft up to 15 mm.



Reliable

- Tried-and-tested in applications with the highest demands, such as in mobile automation or medical technology.
- Ideal for use outdoors thanks to IP67 protection and wide temperature range from -40°C up to +80°C

Flexible

- Node address can be set via rotary switches or software
- Baud rate and termination can be set via DIP switches or software
- With bus terminal cover or fixed connection, as well as M12 connectors or cable connection

Order code Shaft version

8.5858 . X X 2 X . 21 1 X
Type a b c d e f

If for each parameter of an encoder the underlined preferred option is selected, then the delivery time will be 10 working days for a maximum of 10 pieces.
Qts. up to 50 pcs. of these types generally have a delivery time of 15 working days.



- a Flange**
1 = clamping flange, ø 58 mm, IP65
2 = synchro flange, ø 58 mm, IP65
 3 = clamping flange, ø 58 mm, IP67
 4 = synchro flange, ø 58 mm, IP67
 5 = square flange, 63.5 mm (2.5"), IP65
 7 = square flange, 63.5 mm (2.5"), IP67

- b Shaft (ø x L), with flat**
1 = 6 x 10 mm¹⁾
2 = 10 x 20 mm²⁾
 3 = 6,35 x 22,2 mm (1/4" x 7/8")
 4 = 9,5 x 22,2 mm (3/8" x 7/8")

- c Interface / Power supply**
2 = CANopen DS301 V4.02 / 10 ... 30 V DC

- d Type of connection**
removable bus terminal cover
 1 = cable gland radial
2 = 2 x M12 connectors
Fixed connection without bus terminal cover
 A = cable outlet PVC, radial, length 2m
 E = 1 x M12 connector, radial
 F = 2 x M12 connector, radial
 I = 1 x M23 connector, radial
 J = 2 x M23 connector, radial

- e Fieldbus profile³⁾**
21 = CANopen Encoder profile DS406 V3.2
- f Options (Service)**
 2 = no options
3 = SET button
optional on request
 - Ex 2/22
 - seawater-resistant
 - special cable length

Order code Hollow shaft

8.5878 . X X 2 X . 21 1 X
Type a b c d e f

If for each parameter of an encoder the underlined preferred option is selected, then the delivery time will be 10 working days for a maximum of 10 pieces.
Qts. up to 50 pcs. of these types generally have a delivery time of 15 working days.



- a Flange**
 1 = with torque stop set, IP65
 2 = with torque stop set, IP67
 3 = with stator coupling, ø 65, IP65
 4 = with stator coupling, ø 65, IP67
5 = with stator coupling, ø 63, IP65
 6 = with stator coupling, ø 63, IP67

- b Blind hollow shaft**
 3 = ø 10 mm
4 = ø 12 mm
 5 = ø 14 mm
 6 = ø 15 mm
 8 = ø 9.5 mm (3/8")
 9 = ø 12.7 mm (1/2")

- c Interface / Power supply**
2 = CANopen DS301 V4.02 / 10 ... 30 V DC

- d Type of connection**
removable bus terminal cover
 1 = cable gland radial
2 = 2 x M12 connectors
Fixed connection without bus terminal cover
 A = cable outlet PVC, radial, length 2m
 E = 1 x M12 connector radial
 F = 2 x M12 connector radial
 I = 1 x M23 connector radial
 J = 2 x M23 connector radial

- e Fieldbus profile³⁾**
21 = CANopen Encoder profile DS406 V3.2
- f Options (Service)**
 2 = no options
3 = SET button
optional on request
 - Ex 2/22
 - seawater-resistant
 - special cable length

1) Preferred type only in conjunction with Flange type 2
 2) Preferred type only in conjunction with Flange type 1

3) CAN parameters can also be factory pre-set

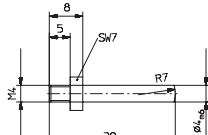
Absolute Encoders - Singleturn

Standard, optical	Sendix 5858 / 5878 (Shaft / Hollow shaft)	CANopen
--------------------------	--	----------------

Mounting accessory for shaft encoders

Coupling	Bellows coupling ø 19 mm for shaft 6 mm	8.0000.1101.0606
	Bellows coupling ø 19 mm for shaft 10 mm	8.0000.1101.1010

Mounting accessory for hollow shaft encoders

Cylindrical pin, long for torque stops		With fixing thread	8.0010.4700.0000
--	---	--------------------	-------------------------

Connection Technology

Connector, self-assembly (straight)	Coupling M12 for Bus in	8.0000.5116.0000
	Connector M12 for Bus out	8.0000.5111.0000

Cordset, pre-assembled with 2 m PVC cable	M12 for Bus in	8.0000.6V81.0005
	M12 for Bus out	8.0000.6V88.0005

Programming set

including:	<ul style="list-style-type: none"> - Interface converter USB-CAN - Connection cable from interface converter to encoder - Power supply 90 ... 250 V AC - DVD with Ezturn® software 	Minimum System Requirements: Operating system: WinXP SP3 or higher Win7 in preparation Processor: 1 GHz RAM : 512 MB Required disk space: 500 MB	8.0010.9000.0015
------------	--	--	-------------------------

Further accessories can be found in the Accessories section or in the Accessories area of our website at: www.kuebler.com/accessories.
 Additional connectors can be found in the Connection Technology section or in the Connection Technology area of our website at: www.kuebler.com/connection_technology.

Mechanical characteristics		
Max. speed		
without shaft seal (IP65) up to 70°C		9 000 min ⁻¹ , 7 000 min ⁻¹ (continuous)
without shaft seal (IP65) up to T _{max}		7 000 min ⁻¹ , 4 000 min ⁻¹ (continuous)
with shaft seal (IP67) up to 70°C		8 000 min ⁻¹ , 6 000 min ⁻¹ (continuous)
with shaft seal (IP67) up to T _{max}		6 000 min ⁻¹ , 3 000 min ⁻¹ (continuous)
Starting torque without shaft seal (IP65)		< 0.01 Nm
Starting torque with shaft seal (IP67)		
shaft version		< 0.05 Nm
hollow shaft version		< 0.03 Nm
Moment of inertia		
shaft version		3.0 x 10 ⁻⁶ kgm ²
hollow shaft version		6.0 x 10 ⁻⁶ kgm ²
Load capacity of shaft	radial	80 N
	axial	40 N
Weight	with bus terminal cover	approx. 0.53 kg
	with fixed connection	approx. 0.50 kg
Protection EN 60 529	housing side	IP67
	shaft side	IP65, opt. IP67
EX approval for hazardous areas		optional Zone 2 and 22
Working temperature range		-40°C ... +80°C ¹⁾
Materials	shaft / hollow shaft	stainless steel
	flange	aluminium
	housing	zinc die-cast housing
	cable	PVC
Shock resistance acc. EN 60068-2-27		2500 m/s ² , 6 ms
Vibration resistance acc. EN 60068-2-6		100 m/s ² , 55 ... 2000 Hz

General electrical characteristics	
Power supply	10 ... 30 V DC
Power consumption (no load)	max. 90 mA
Reverse connection of the supply voltage (U _B)	yes
UL-certified	File 224618
CE compliant acc. to	EN 61000-6-2, EN 61000-6-4, EN 61000-6-3
RoHS compliant acc. to	EU guideline 2002/95/EG

Interface characteristics CANopen	
Singleturn resolution	1 ... 65536 (16 bit), scalable
Default value	8192 (13 bit)
Code	Binary
Interface	CAN High-Speed acc. to ISO 11898, Basic- and Full-CAN CAN Specification 2.0 B
Protocol	CANopen Profile DS406 V3.2 with manufacturer-specific add-ons
Baud rate	10 ... 1000 kbit/s (can be set via DIP switches / software configurable)
Node address	1 ... 127 (can be set via rotary switches / software configurable)
Termination switchable	can be set via DIP switches, software configurable

SET button (Zero or defined value, option)	
Protection against accidental activation. Button can only be operated with a ball-pen or pencil.	

Diagnostic LED (yellow)	
LED is ON with the following fault conditions	
Sensor error (internal code or LED error), too low voltage, over-temperature	

1) Cable version: -30°C ... +75°C

Absolute Encoders - Singleturn

Standard, optical

Sendix 5858 / 5878 (Shaft / Hollow shaft)

CANopen

General information about CANopen

The CANopen encoders support the latest CANopen communication profile according to DS301 V4.02. In addition, device specific profiles such as encoder profile DS406 V3.2 are available

The following operating modes may be selected: Polled Mode, Cyclic Mode, Sync Mode. Moreover, scale factors, preset values, limit switch values and many other additional parameters can be programmed via the CAN bus.

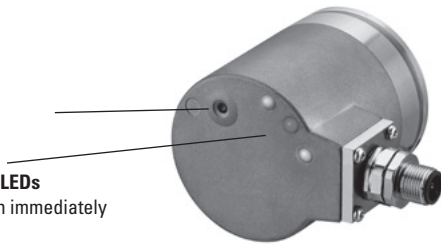
When switching the device on, all parameters are loaded from an EEPROM, where they were saved previously to protect them against power-failure.

The following output values may be combined in a freely variable way as PDO (PDO mapping): **position, speed, acceleration** as well as the **status of the working area**.

As competitively priced alternatives, encoders are also available with a connector or a cable connection, where the device address and baud rate can be changed and configured by means of the software. The models with bus terminal cover and integrated T-coupler allow for extremely simple installation: the bus and supply voltage can be easily connected via M12 connectors. The device address can be set via 2 rotary hex switches. Furthermore, another DIP switch allows for the setting of the baud rate and switching on a termination resistor. Three LEDs located on the back indicate the operating or fault status of the CAN bus, as well as the status of an internal diagnostic.

SET button
for fast, simple on-site start-up

Green, red, yellow LEDs
Fault-free operation immediately visible on the bus.



CANopen Communication Profile DS301 V4.02

Among others, the following functionality is integrated.

Class C2 functionality:

- NMT Slave
- Heartbeat Protocol
- High Resolution Sync Protocol
- Identity Object
- Error Behaviour Object
- Variable PDO Mapping self-start programmable (Power on to operational), 3 Sending PDO's
- Node address, baud rate and CANbus
- Programmable termination

CANopen Encoder Profile DS406 V3.2

The following parameters can be programmed:

- Event mode
- Units for speed selectable (steps/sec or RPM)
- Factor for speed calculation (e.g. circumference of measuring wheel)
- Integration time for the speed value from 1 ... 32
- 2 working areas with 2 upper and lower limits and the corresponding output states
- Variable PDO mapping for position, speed, work area status
- Extended failure management for position sensing with integrated temperature control
- User interface with visual display of bus and failure status - 3 LED's
- Optional - 32 CAMs programmable
- Customer-specific memory - 16 Bytes

All profiles stated here: Key-features

The object 6003h "Preset" is assigned to an integrated key, accessible from the outside.

"Watchdog controlled" device

Terminal assignment

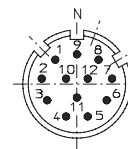
Bus terminal cover with terminal box (type of connection 1)

Direction	OUT					IN				
Signal	CAN Ground	CAN_Low (-)	CAN_High (+)	0 V power supply	+U _B power supply	0 V power supply	+U _B power supply	CAN_Low (-)	CAN_High (+)	CAN Ground
Abbreviation	CG	CL	CH	0 V	+V	0 V	+V	CL	CH	CG

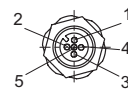
Cable connection (type of connection A)

Direction	IN				
Signal	0 V power supply	+U _B power supply	CAN_Low (-)	CAN_High (+)	CAN Ground
Abbreviation	0 V	+V	CL	CH	CG
Cable colour	WH	BN	YE	GN	GY

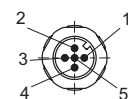
Bus in and out M23



Bus out



Bus in



Connector M23 (type of connection I) or M12 (type of connection E)

Direction	IN				
Signal	0 V power supply	+U _B power supply	CAN_Low (-)	CAN_High (+)	CAN Ground
Abbreviation	0 V	+V	CL	CH	CG
M23 PIN assignment	10	12	2	7	3
M12 PIN assignment	3	2	5	4	1

Bus terminal cover with Connectors 2 x M12 (type of connection 2, F or J)

Direction	OUT					IN				
Signal	CAN Ground	CAN_Low (-)	CAN_High (+)	0 V power supply	+U _B power supply	0 V power supply	+U _B power supply	CAN_Low (-)	CAN_High (+)	CAN Ground
M23 PIN assignment	3	2	7	10	12	10	12	2	7	3
M12 PIN assignment	1	5	4	3	2	3	2	5	4	1

Absolute Encoders - Singleturn

Standard, optical **Sendix 5858 / 5878 (Shaft / Hollow shaft)** **CANopen**

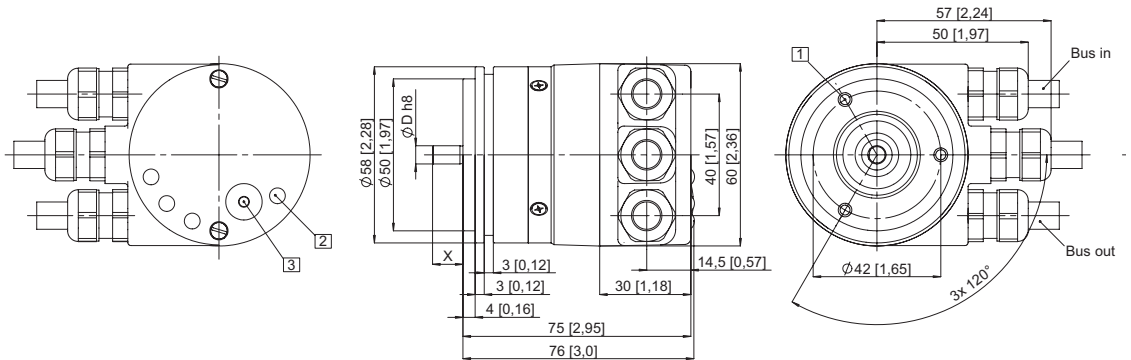
Dimensions shaft version, with removable bus terminal cover

Synchro flange, ø 58 mm

Flange type 2 and 4

(Drawing with cable)

- 1 3 x M4, 6 [0.24] deep
- 2 Status LED
- 3 SET button

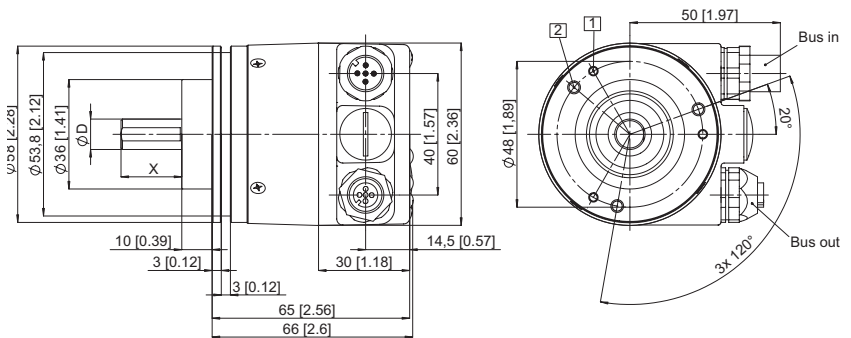


Clamping flange, ø 58 mm

Flange type 1 and 3

(Drawing with 2 x M12 connector)

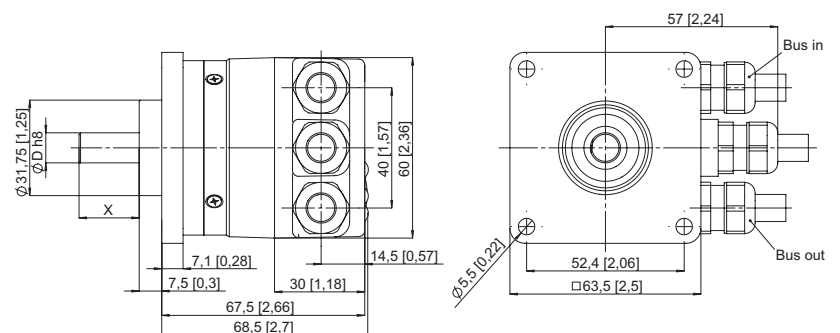
- 1 3 x M3, 6 [0.24] deep
- 2 3 x M4, 8 [0.32] deep



Square flange, □ 63.5 mm

Flange type 5 and 7

(Drawing with cable)



Absolute Encoders
Singleturn

Absolute Encoders - Singleturn

Standard, optical

Sendix 5858 / 5878 (Shaft / Hollow shaft)

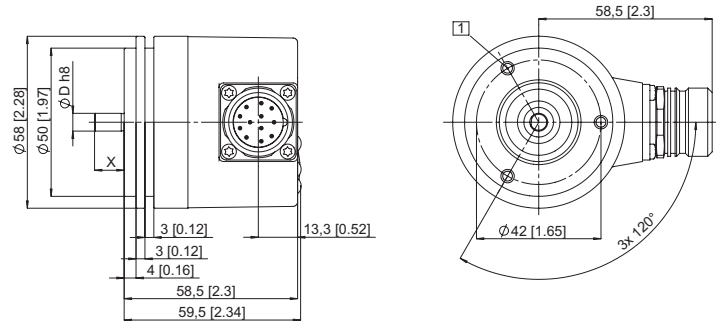
CANopen

Dimensions shaft version, with fixed connection

Synchro flange, \varnothing 58 mm

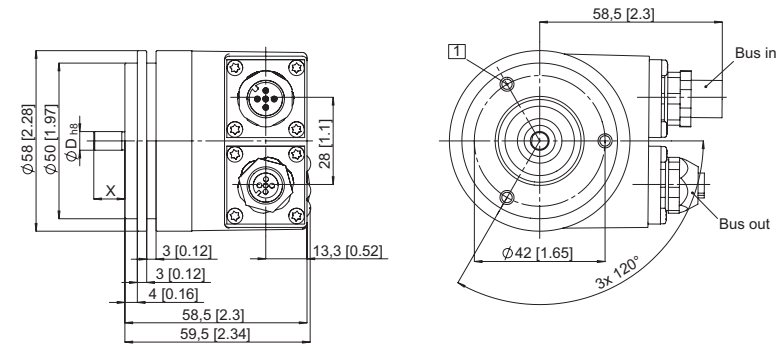
Flange type 2 and 4

(Drawing with M23 connector)



(Drawing with M12 connector)

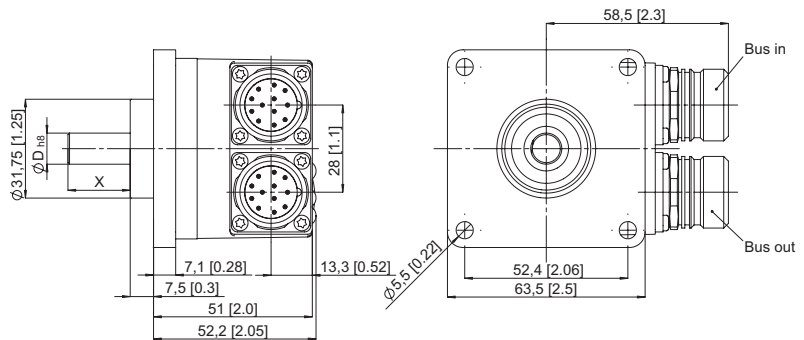
1 3 x M4, 6 [0.24] deep



Square flange, \square 63.5 mm

Flange type 5 and 7

(Drawing with 2 x M23 connector)



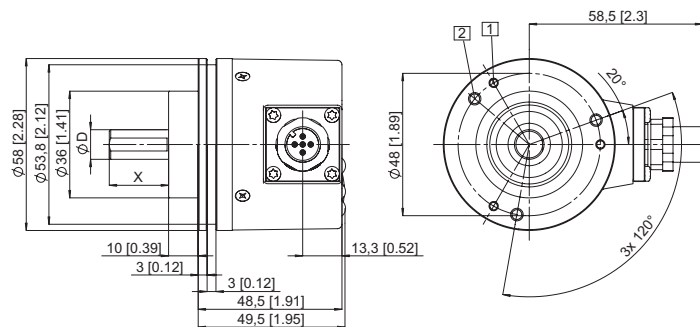
Clamping flange, \varnothing 58 mm

Flange type 1 and 3

(Drawing with M12 connector)

1 3 x M3, 6 [0.24] deep

2 3 x M4, 8 [0.32] deep



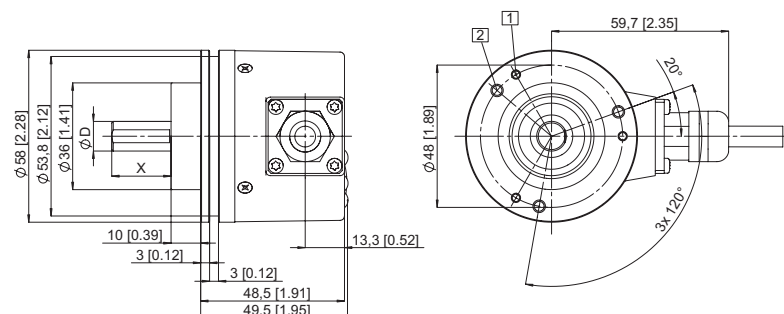
Clamping flange, \varnothing 58 mm

Flange type 1 and 3

(Drawing with cable)

1 3 x M3, 6 [0.24] deep

2 3 x M4, 8 [0.32] deep



Absolute Encoders - Singleturn

Standard, optical **Sendix 5858 / 5878 (Shaft / Hollow shaft)** **CANopen**

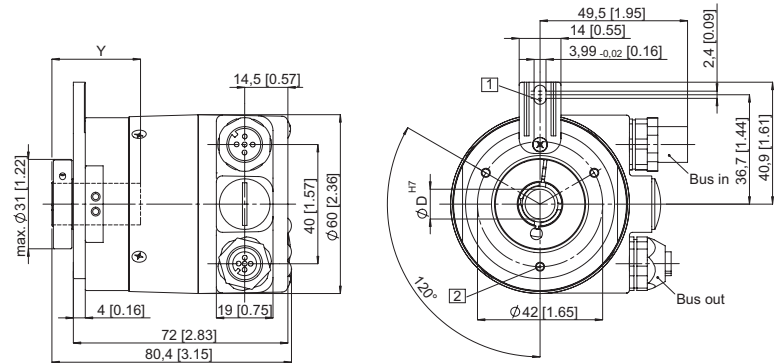
Dimensions hollow shaft version (blind hollow shaft), with removable bus terminal cover

Flange with torque stop set long, ø 58 mm

Flange type 1 and 2

(Drawing with 2 x M12 connector)

- 1 Torque stop slot,
Recommendation: Cylindrical pin DIN7, ø 4 mm
- 2 3 x M3, 5.5 [0.21] deep

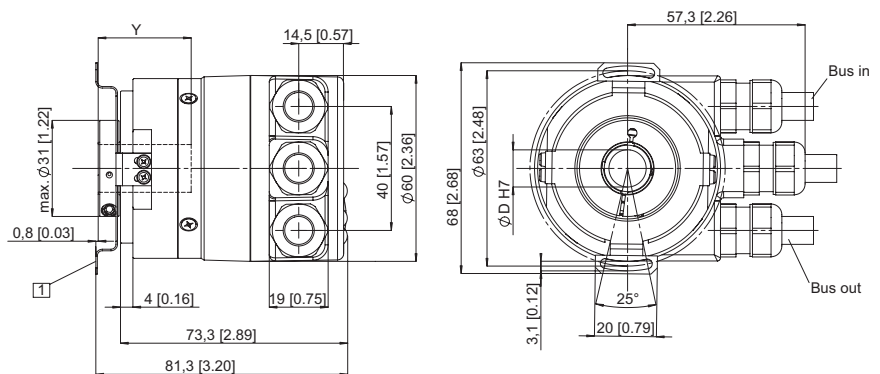


Flange with stator coupling, ø 58 mm

Flange type 5 and 6

Pitch circle diameter for fixing screws 63 mm
(Drawing with cable)

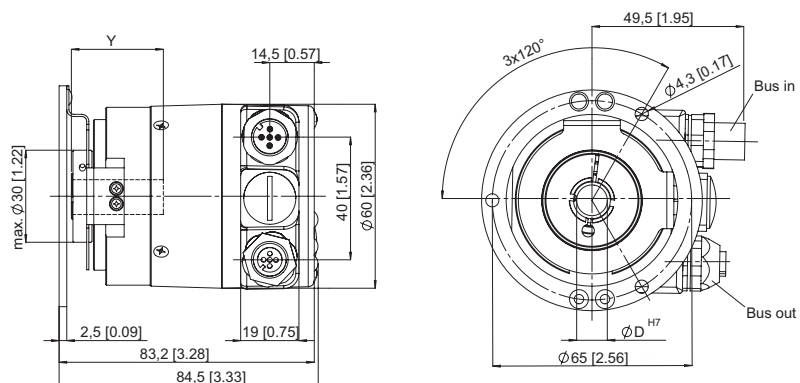
- 1 Fixing screws DIN 912 M3 x 8
(Washer included in delivery)



With stator coupling, ø 58 mm

Flange type 3 and 4

Pitch circle diameter for fixing screws 65 mm
(Drawing with 3x M12 connector)



Y: Insertion depth for blind hollow shaft: 30 mm

Absolute Encoders - Singleturn

Standard, optical

Sendix 5858 / 5878 (Shaft / Hollow shaft)

CANopen

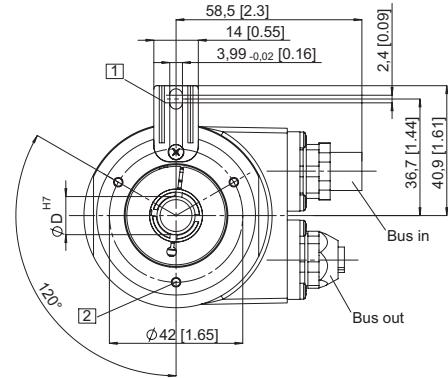
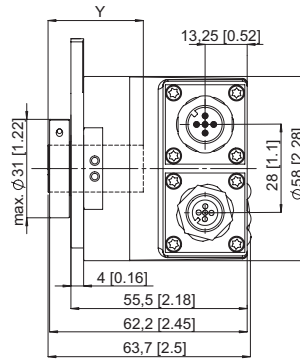
Dimensions hollow shaft version (blind hollow shaft), with fixed connection

Flange with torque stop set, long, \varnothing 58 mm

Flange type 1 and 2

(Drawing with 2 x M12 connector)

- 1 Torque stop slot,
Recommendation: Cylindrical pin DIN7, \varnothing 4 mm
- 2 3 x M3, 5.5 [0.21] deep

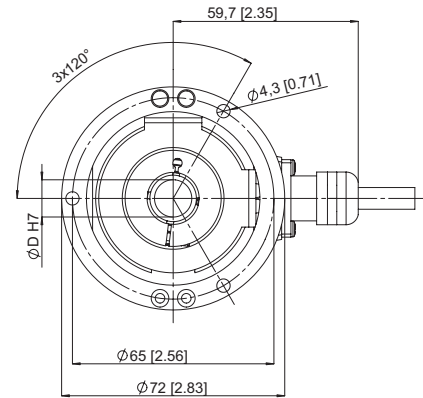
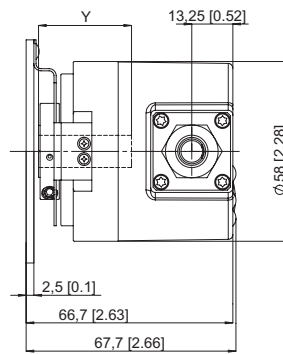


Flange with stator coupling, \varnothing 58 mm

Flange type 3 and 4

with Fixing screws 65 mm

(Drawing with cable)



Y: Insertion depth for blind hollow shaft: 30 mm