

# STC56(M)EL

Ø56mm

다색 1단 LED 타워등 Multiple Colors 1 Layer LED Tower Light



1단 타워등으로 2~3색의 LED 신호를 전달하는 Ø56mm 경제형 타워램프

- STC56EL | LED 점등형 LED Steady
- STC56ELF | LED 점등/점멸형 LED Steady/Flashing
- STC56EL-BZ | 부저내장 LED 점등형 LED Steady With Buzzer
- STC56ELF-BZ | 부저내장 LED 점등/점멸형 LED Steady/Flashing With Buzzer

- STC56MEL | LED 점등형 LED Steady
- STC56MELF | LED 점등/점멸형 LED Steady/Flashing
- STC56MEL-BZ | 부저내장 LED 점등형 LED Steady With Buzzer
- STC56MELF-BZ | 부저내장 LED 점등/점멸형 LED Steady/Flashing With Buzzer



부저내장형 몸체입니다.  
The body of this product has buzzer built-in.



**취부대 (Bracket) Mounting device**

SCREW & NUT (표준. Standard)	LB18	LW18	SZ18	SL18

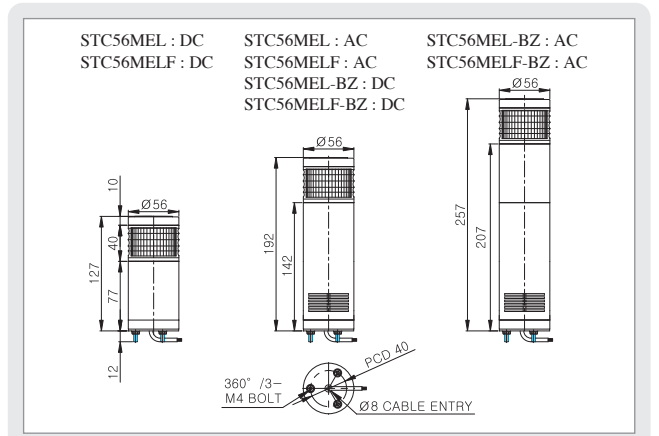
※ 상세한 치수사양은 Page 129를 참조하십시오.  
For a detailed dimension, please refer to page 129.

형식 Model	단수 Layer	전압 Rated Voltage	전류 Current	중량 Weight	색상 Color
STC56MEL LED 점등 LED Steady	2	AC/DC12V	0.133A	0.44Kg	<span style="color: red;">■</span> 적-R <span style="color: green;">■</span> 녹-G
STC56MELF LED 점등/점멸 LED Steady/Flashing		AC/DC24V	0.122A	0.44Kg	
STC56MEL-BZ 부저내장 LED 점등 LED Steady With Buzzer	3	AC110V	0.046A	0.55Kg	<span style="color: red;">■</span> 적-R <span style="color: yellow;">■</span> 황-A <span style="color: green;">■</span> 녹-G
STC56MELF-BZ 부저내장 LED 점등/점멸 LED Steady/Flashing With Buzzer		AC220V	0.023A	0.55Kg	

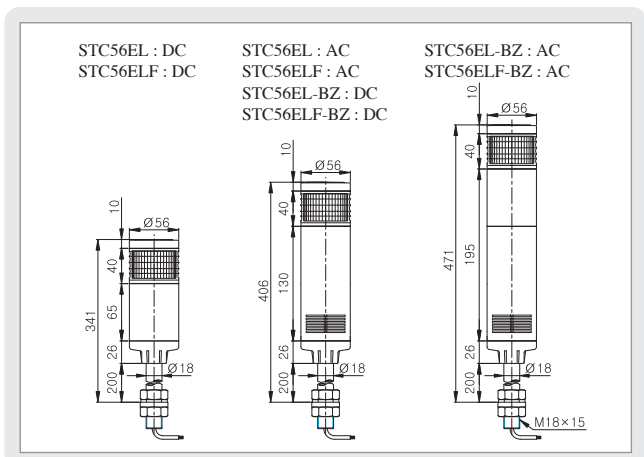
형식 Model	단수 Layer	전압 Rated Voltage	전류 Current	중량 Weight	색상 Color
STC56EL LED 점등 LED Steady	2	AC/DC12V	0.133A	0.46Kg	<span style="color: red;">■</span> 적-R <span style="color: green;">■</span> 녹-G
STC56ELF LED 점등/점멸 LED Steady/Flashing		AC/DC24V	0.122A	0.46Kg	
STC56EL-BZ 부저내장 LED 점등 LED Steady With Buzzer	3	AC110V	0.046A	0.57Kg	<span style="color: red;">■</span> 적-R <span style="color: yellow;">■</span> 황-A <span style="color: green;">■</span> 녹-G
STC56ELF-BZ 부저내장 LED 점등/점멸 LED Steady/Flashing With Buzzer		AC220V	0.023A	0.57Kg	

※ 표준 색상 이외의 조합은 사용자가 주문시 지정 가능합니다.  
※ Product user may select the combination of colors

### 외형도 (External view drawing)



### 외형도 (External view drawing)



### 결선도 (Connection Diagram)

• 외부 점접을 이용한 결선도는 Page160을, 트랜지스터(I/O유닛)를 이용한 결선도는 Page13을 참조하십시오.  
• Refer to page 160 for wiring by using external contact point and refer to page 13 for wiring by using transistor(I/O unit)

### STC56(M)EL SERIES 사양지정(Order Specification)

형식(Model)	색수(No. of Color)	전압(Voltage)	색상(Color)
STC56EL	3	220	RAG
STC56(M)EL	· 2-2 색	· 12-DC12V	■ R-적(Red)
STC56(M)ELF	· 3-3 색	· 24-DC24V	■ A-황(Amber)
STC56(M)EL-BZ		· 110-AC110V	■ G-녹(Green)
STC56(M)ELF-BZ		· 220-AC220V	

SIGNAL TOWER LAMP  
LED WORK LIGHT