

STC80(M)EL

Ø80mm

다색 1단 LED 타워등 Multiple Colors 1 Layer LED Tower Light



1단 타워등으로 2~3색의 LED 신호를 전달하는 Ø80mm 타워램프

- STC80EL | LED 점등형
LED Steady
- STC80ELF | LED 점등/점멸형
LED Steady/Flashing
- STC80EL-BZ | 부저내장 LED 점등형
LED Steady With Buzzer
- STC80ELF-BZ | 부저내장 LED 점등/점멸형
LED Steady/Flashing With Buzzer

- STC80MEL | LED 점등형
LED Steady
- STC80MELF | LED 점등/점멸형
LED Steady/Flashing
- STC80MEL-BZ | 부저내장 LED 점등형
LED Steady With Buzzer
- STC80MELF-BZ | 부저내장 LED 점등/점멸형
LED Steady/Flashing With Buzzer



부저내장형 몸체입니다.

The body of this product has buzzer built-in.



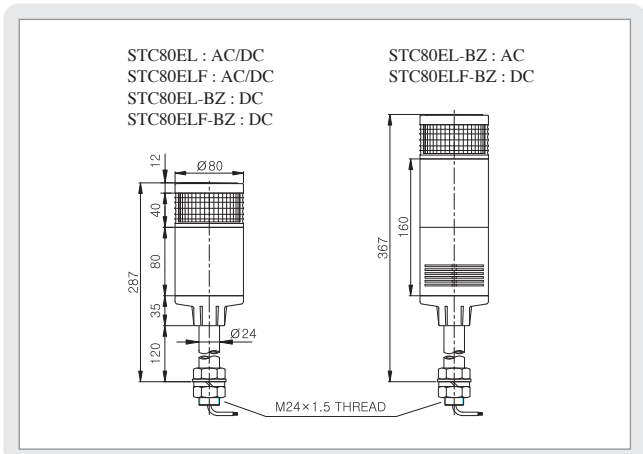
SCREW & NUT (표준 Standard)	LB24	LW24	SZ24	SL24
<p>취부대 (Bracket) Mounting device</p>				

※ 상세한 치수사양은 Page 129를 참조하십시오.
For a detailed dimension, please refer to page 129.

형식 Model	단수 Layer	전압 Rated Voltage	전류 Current	중량 Weight	색상 Color
STC80EL LED 점등 LED Steady	2	AC/DC12V	0.188A	0.66Kg	적-R
STC80ELF LED 점등/점멸 LED Steady/Flashing		AC/DC24V	0.155A	0.66Kg	녹-G
STC80EL-BZ 부저내장 LED 점등 LED Steady With Buzzer	3	AC110V	0.066A	0.79Kg	적-R 황-A
STC80ELF-BZ 부저내장 LED 점등/점멸 LED Steady/Flashing With Buzzer		AC220V	0.033A	0.79Kg	녹-G

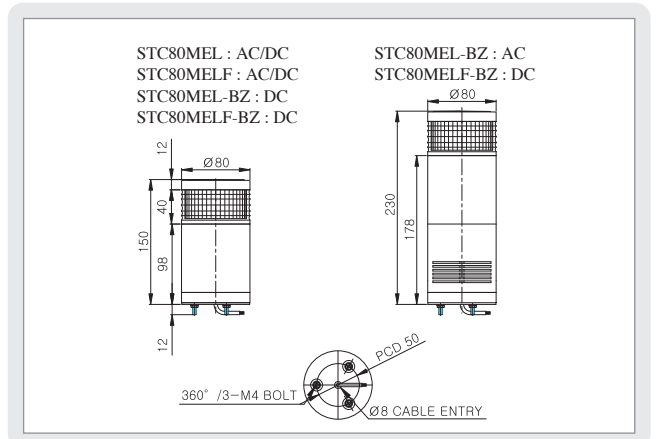
※ 표준 색상 이외의 조합은 사용자가 주문시 지정 가능합니다.
※ Product user may select the combination of colors

외형도 (External view drawing)



형식 Model	단수 Layer	전압 Rated Voltage	전류 Current	중량 Weight	색상 Color
STC80MEL LED 점등 LED Steady	2	AC/DC12V	0.188A	0.52Kg	적-R 녹-G
STC80MELF LED 점등/점멸 LED Steady/Flashing		AC/DC24V	0.155A	0.52Kg	
STC80MEL-BZ 부저내장 LED 점등 LED Steady With Buzzer	3	AC110V	0.066A	0.65Kg	적-R 황-A
STC80MELF-BZ 부저내장 LED 점등/점멸 LED Steady/Flashing With Buzzer		AC220V	0.033A	0.65Kg	녹-G

외형도 (External view drawing)



결선도 (Connection Diagram)

- 외부 접점을 이용한 결선도는 Page160을, 트랜지스터(I/O유닛)를 이용한 결선도는 Page13을 참조하시기 바랍니다.
- Refer to page 160 for wiring by using external contact point and refer to page 13 for wiring by using transistor(I/O unit)

STC80(M)EL 사양지정(Order Specification)

STC80EL	- 3 -	220	- RAG
형식(Model)	색수(No. of Color)	전압(Voltage)	색상(Color)
· STC80(M)EL	· 2-2 색	· 12-DC12V	■ R-적(Red)
· STC80(M)ELF	· 3-3 색	· 24-DC24V	■ A-황(Amber)
· STC80(M)EL-BZ		· 110-AC110V	■ G-녹(Green)
· STC80(M)ELF-BZ		· 220-AC220V	