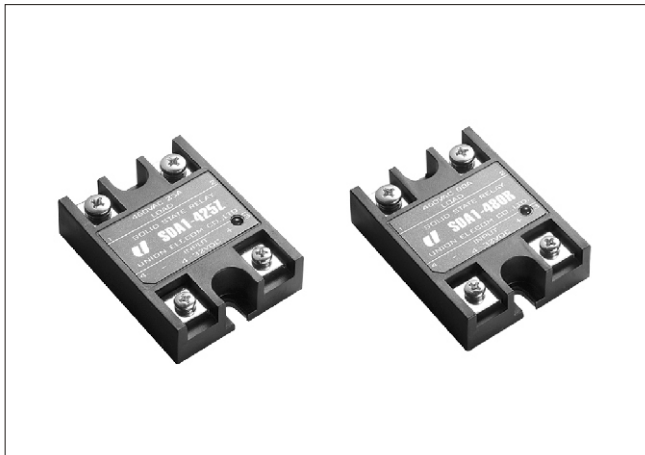


# SDA1-4 Series



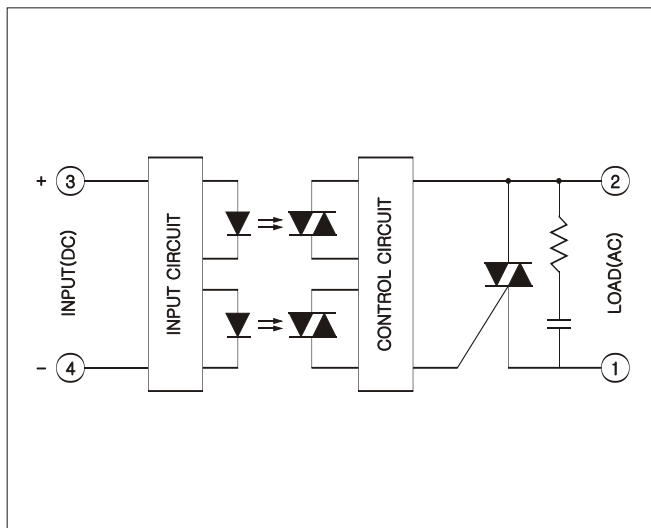
## Input DC/Output AC 1-Phase Mold

- 15 - 50Amp AC460V Output
- AC 2500V Isolation
- Normally Open
- LED Indicator
- Zero-cross and Random Switching
- Panel Mount with Heatsink
- CE and TUV approved

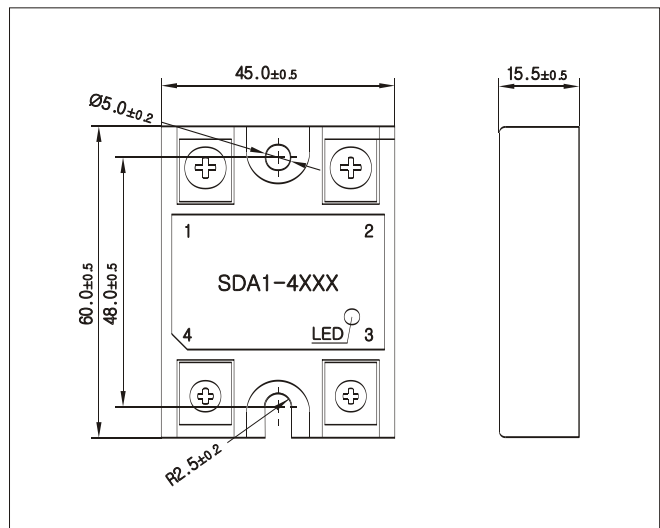
### SPECIFICATIONS

| Item    |                            | SDA1-415Z   | SDA1-425Z | SDA1-440Z | SDA1-450Z | SDA1-415R  | SDA1-425Z | SDA1-440R | SDA1-450R | Unit  |
|---------|----------------------------|---|-----------|-----------|-----------|------------|-----------|-----------|-----------|-------|
| OUTPUT  | RMS ON-STATE LOAD CURRENT  | 15  | 25        | 40        | 50        | 15         | 25        | 40        | 50        | Arms  |
|         | LOAD VOLTAGE RANGE         | 50 ~ 460  |           |           |           |            |           |           |           | Vrms  |
|         | BLOCKING VOLTAGE           | 1,200   |           |           |           |            |           |           |           | Vrms  |
|         | PEAK 1-CYCLE SURGE CURRENT | 200   | 250       | 370       | 525       | 200        | 250       | 370       | 525       | Arms  |
|         | ON-STATE VOLTAGE DROP      | 2 Max   |           |           |           |            |           |           |           | Vrms  |
|         | OFF-STATE LEAKAGE CURRENT  | 20 Max  |           |           |           |            |           |           |           | mArms |
| INPUT   | INPUT VOLTAGE RANGE        | 4 ~ 32  |           |           |           |            |           |           |           | Vdc   |
|         | PICK-UP VOLTAGE            | 4 Max   |           |           |           |            |           |           |           | Vdc   |
|         | DROP-OUT VOLTAGE           | 1 Min   |           |           |           |            |           |           |           | Vdc   |
| GENERAL | ISOLATION VOLTAGE          | 2,500Vrms between I/O terminals and case for 1 minute |           |           |           |            |           |           |           | /     |
|         | ISOLATION RESISTANCE       | 500Vdc 100Mohm between I/O terminals and case         |           |           |           |            |           |           |           | /     |
|         | OPERATING TEMPERATURE      | -30 ~ +80   |           |           |           |            |           |           |           | °C    |
|         | STORAGE TEMPERATURE        | -30 ~ +100  |           |           |           |            |           |           |           | °C    |
|         | TURN-ON TIME               | 1/2 Cycle Max   |           |           |           | 1 msec Max |           |           |           | /     |
|         | TURN-OFF TIME              | 1/2 Cycle max   |           |           |           |            |           |           |           | /     |
|         | ZERO-CROSS OR RANDOM       | Zero-cross  |           |           |           | Random     |           |           |           | /     |

### BLOCK DIAGRAM



### DIMENSIONS (UNIT : MM)



**Characteristic curve**

**A. 15Amp S.S.R**

**S.S.R Model**

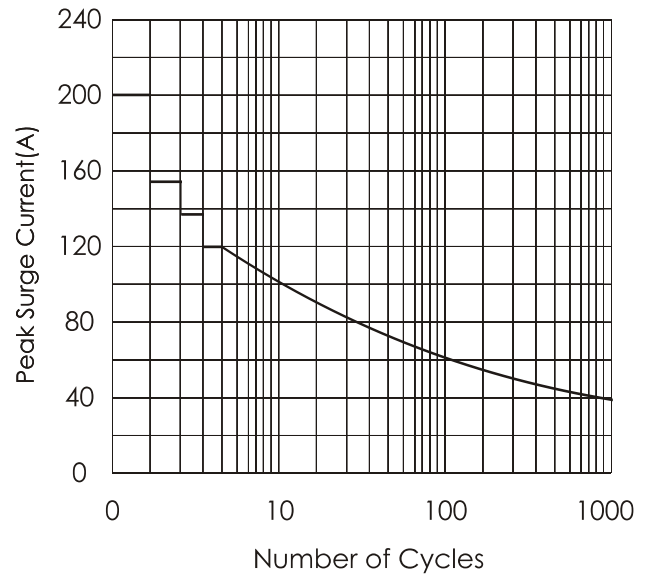
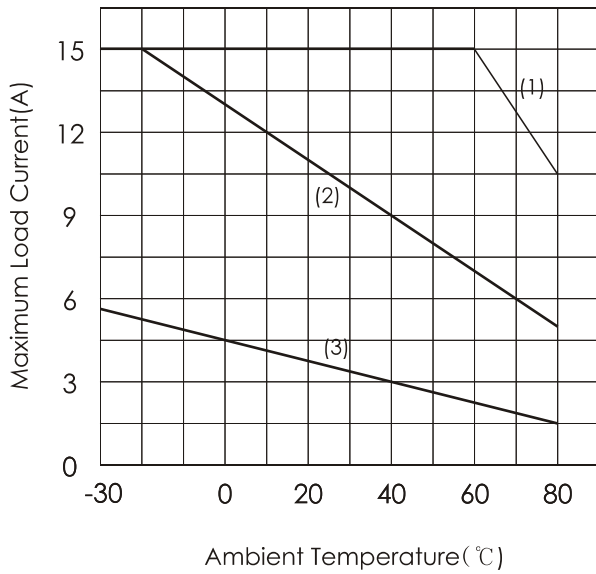
SDA1-215Z/215R/415Z/415R  
SAA1-215Z/415Z

**Heatsink**

(1)Infinite(2)UHS118-1-45(3)Non

**S.S.R Model**

SDA1-415Z/415R SAA1-415Z  
SDA2-415Z SAA2-415Z  
SDA3-415Z SAA3-415Z



**B. 25Amp S.S.R**

**S.S.R Model**

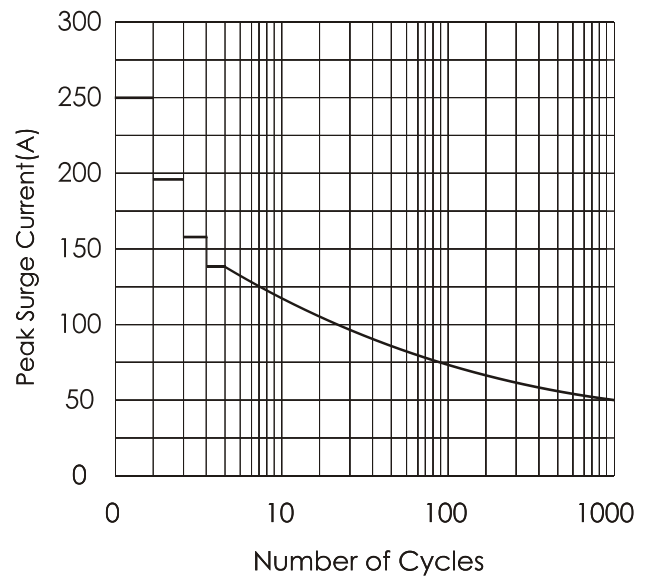
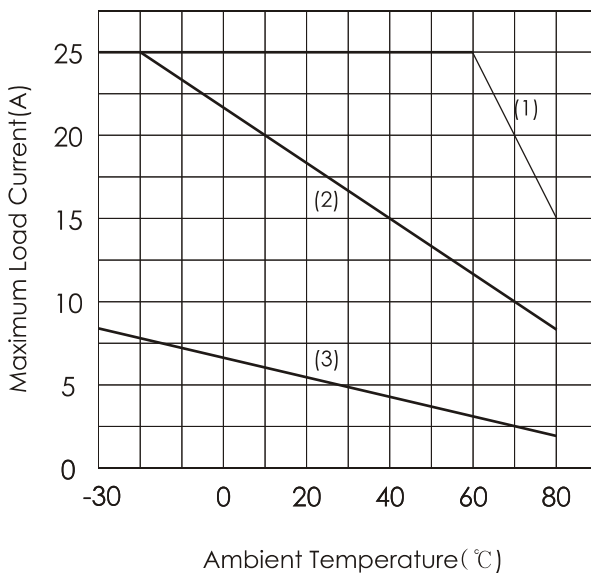
SDA1-225Z/225R/425Z/425R  
SAA1-225Z/425Z

**Heatsink**

(1)Infinite(2)UHS118-1-60(3)Non

**S.S.R Model**

SDA1-425Z/425R SAA1-425Z  
SDA2-425Z SAA2-425Z  
SDA3-425Z SAA3-425Z



**Characteristic curve**

**C. 40Amp S.S.R**

**S.S.R Model**

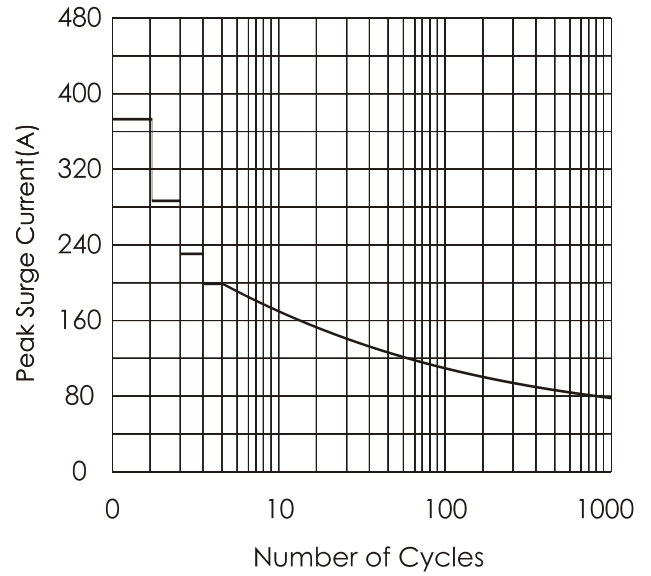
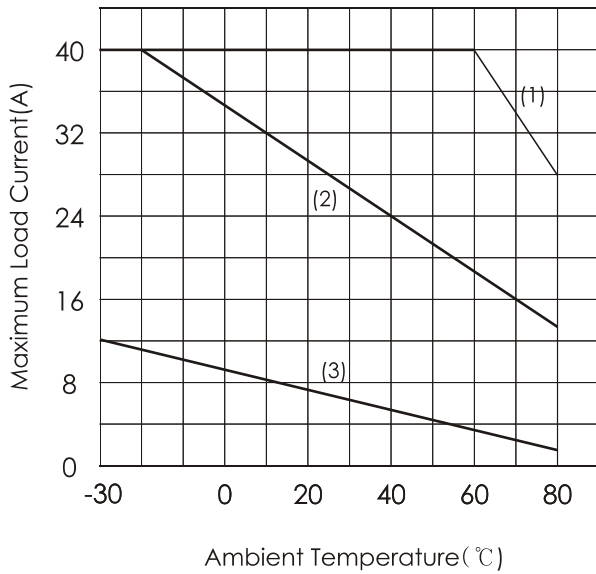
SDA1-240Z/240R/440Z/440R  
SAA1-240Z/440Z

**Heatsink**

(1)Infinite(2)UHS118-1-80(3)Non

**S.S.R Model**

SDA1-440Z/440R SAA1-440Z  
SDA2-440Z SAA2-440Z  
SDA3-440Z SAA3-440Z



**D. 50Amp S.S.R**

**S.S.R Model**

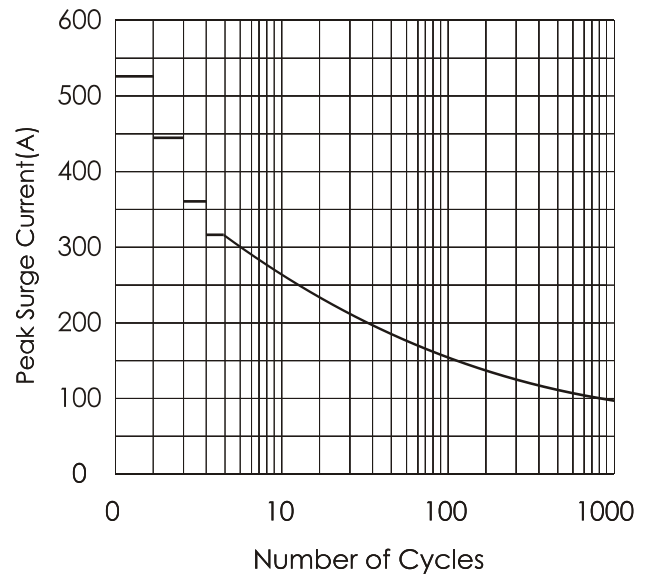
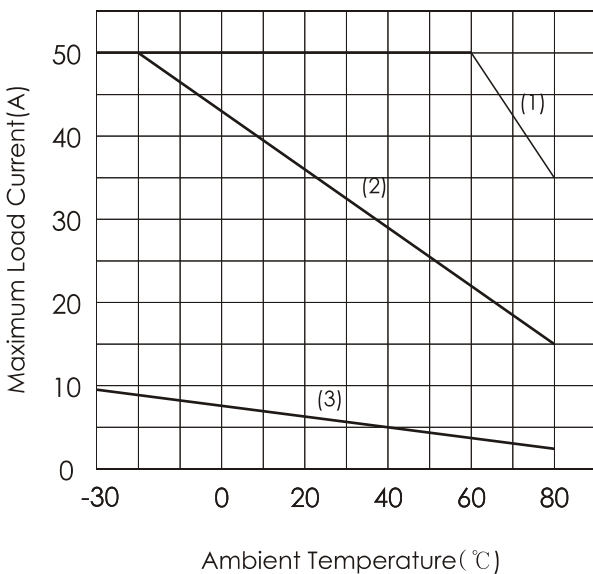
SDA1-250Z/250R/450Z/450R  
SAA1-250Z/450Z

**Heatsink**

(1)Infinite(2)UHS118-1-80(3)Non

**S.S.R Model**

SDA1-450Z/450R SAA1-450Z  
SDA2-450Z SAA2-450Z  
SDA3-450Z SAA3-450Z



**Standard heatsink**

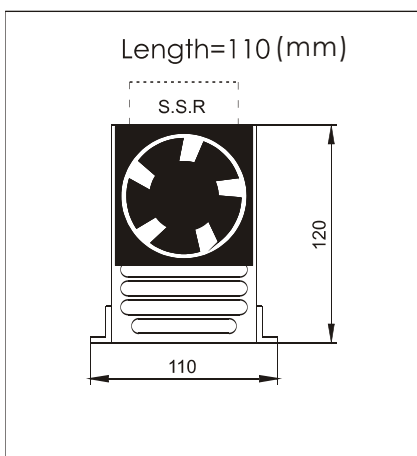
**1) UHS118 Series**

|  |                             |            |
|--|-----------------------------|------------|
|  | MODEL                       | Length(mm) |
|  | <a href="#">UHS118-1-45</a> | 45         |
|  | <a href="#">UHS118-1-60</a> | 60         |
|  | <a href="#">UHS118-1-80</a> | 80         |
|  | UHS118-3-120                | 120        |
|  | UHS118-3-150                | 150        |

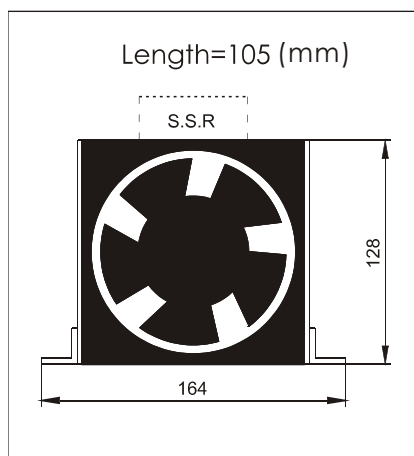
**2 )UHS11 Series**

|  |             |            |
|--|-------------|------------|
|  | MODEL       | Length(mm) |
|  | UHS11-1-80  | 80         |
|  | UHS11-1-105 | 105        |
|  | UHS11-3-80  | 80         |
|  | UHS11-3-105 | 105        |
|  | UHS11-3-150 | 150        |

**3) UHS120V80-3-110**



**4) UHS124V128-3-105**



**5)UHS126 - P**

|             |            |
|-------------|------------|
|             |            |
| MODEL       | Length(mm) |
| UHS126-P-40 | 40         |
| UHS126-P-50 | 50         |