

approval for production:

checked, company & sign

technical subject to modifications

This document is property of Fritz Kübler GmbH.
use of this document without written
permission is prohibited

Mechanical characteristics:

Speed ¹⁾: max. 12 000 1/min.
 Rotor moment of inertia: approx. ca. 6×10^{-6} kgm²
 Starting torque: < 0.01 Nm
 Weight: ca. 0.4 kg
 Protection acc. to EN 60 529: IP 65
 Working temperature ²⁾: - 40° C bis + 85° C
 Hollow shaft: stainless steel, H7
 Shock resistance acc. to DIN-IEC 68-2-27: 2500m/s², 6ms
 Vibration resistance acc. to DIN-IEC 68-2-6: 100m/s², 10...2000 Hz
 1) for continuous operation max. 6 000 1/min.
 2) With connector:
 cable fixed: - 40° C
 cable moved: - 30° C
 cable moved: - 20° C

Electrical characteristics:

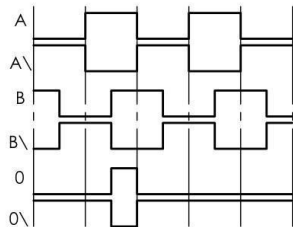
Output circuit: RS 422
 Supply voltage: 5 V DC
 Power consumption (no load): typ. 40 mA / max. 90 mA
 Permissible load/channel: max. ± 20 mA
 Pulse frequency: max. 300 kHz
 Signal level high: min. 2.5 V
 Signal level low: max. 0.5 V
 Rise time tr: max. 200 ns
 Fall time tf: max. 200 ns
 Short circuit proof outputs 1): yes
 Reverse connection protection at UB: no

Conforms to CE requirements acc. to
 DIN-IEC 68-2-27, DIN-IEC 68-2-6, EN 60 529,
 EN 61 000-6-2, EN 61 000-6-3, EN 61 000-6-4
 1) If supply voltage correctly applied

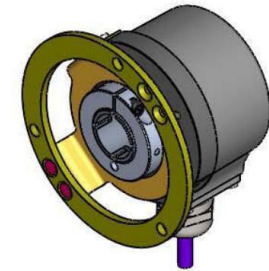
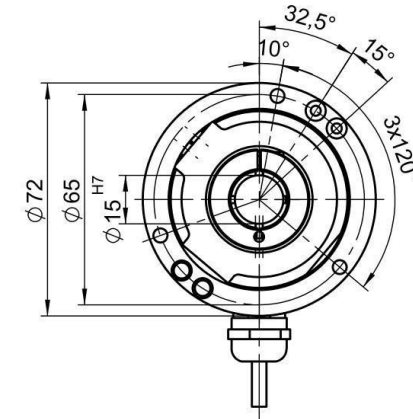
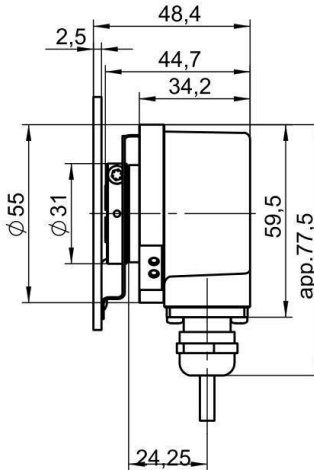
Terminal assignment:


Cable	
Signal	Color
0V	WH
+UB	BN
0V Sens	GY PK
+UB Sens	RD BU
A	GN
A\	YE
B	GY
B\	PK
0	BU
0\	RD

Singals:



A leads B when shaft is rotated clockwise viewing the encoder shaft end



			Unit of measurement millimeter		 Fritz Kübler GmbH Zähl- und Sensortechnik 76034 Vöschwinkel	
			Tolerances unless otherwise specified	scale		Customer Type:
0	31.3.09	da	ISO 2768 mH	1:2	encoder incremental	Kübler Type: 8.5020.0841.1024.0004
Index	Date	Name				drawing ID: FB27A
						customer drawing