

approval for production: _____
 checked by company & sign _____
 date _____

technical subject to modifications

Mechanical characteristics:

Speed ¹⁾: max. 3000 min⁻¹
 Rotor moment of inertia: < 150 x 10⁻⁶ kgm²
 Starting torque: < 0.2 Nm
 Weight: app. 0.7 kg
 Protection acc. to EN 60529: IP65
 Working temperature: -20°C ... +70°C ²⁾
 Shaft: stainless steel, H7
 Shock resistance acc. to DIN-IEC 68-2-27: 1000 m/s², 6ms
 Vibration resistance acc. to DIN-IEC 68-2-6: 100 m/s², 10 ... 2000Hz

- 1) Short term (app. 15min. range) up to 3500 min⁻¹
- 2) non-condensing

Electrical characteristics:

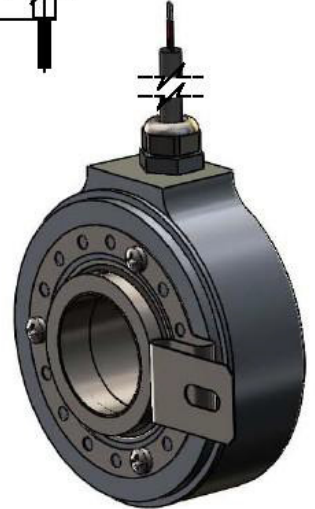
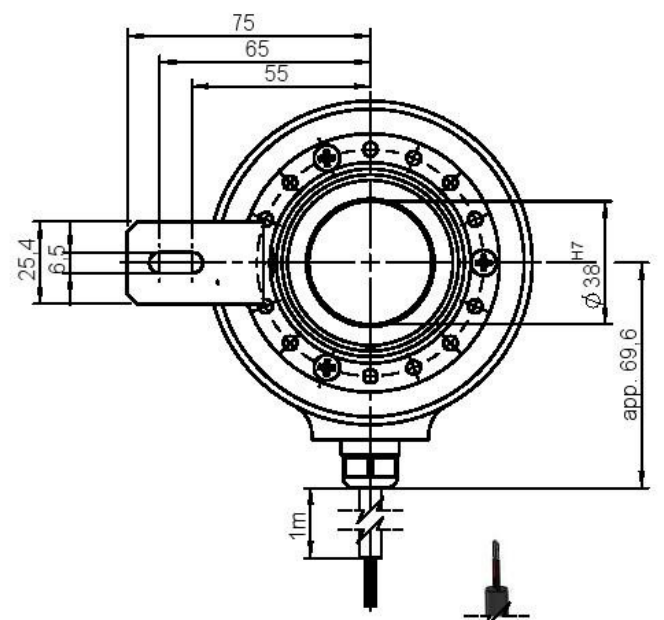
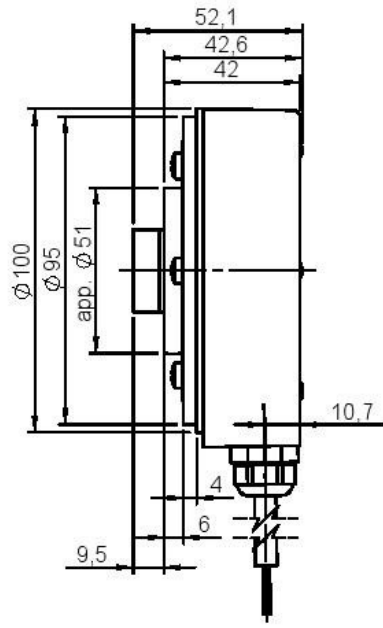
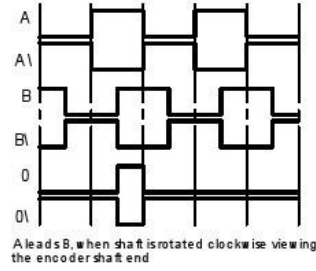
Output circuit: RS 422 (TTL-compatible)
 Supply voltage: 5V (±5%) VDC
 Power consumption (no load): typ. 40 mA / max. 90 mA
 with inverted signal:
 Permissible load/channel: max. ± 20 mA
 Pulse frequency: max. 300 kHz
 Signal level high: min. UB 2.5V
 Signal level low: max. 0.5V
 Rise time tr: max. 200ns
 Fall time tf: max. 200ns
 Short circuit proof outputs ¹⁾: yes ²⁾
 Reverse connection protection at UB: no
 Conforms to CE requirements acc. to EN 61000-6-2, EN 61000-6-4 and EN 61000-6-3

- 1) if supply voltage correctly applied
- 2) Only one channel allowed to be shorted-out: (if UB=5V, short -circuit to channel, 0V or +UB is permitted)

Terminal assignment:

Cable	
Signal	Color
0V	WH
+UB	BN
0V Sens	GY PK
+UB Sens	RD BU
A	GN
A\	YE
B	GY
B\	PK
0	BU
0\	RD

Signals:



This document is property of Fritz Kibler GmbH. Use of this document without written permission is prohibited.

Index	Date	Name	Unit of measurement millimeter	Customer type:	Fritz Kibler GmbH Zahn- und Getriebechnik 78054 Vödingen/Reiningen
0	1.12.08	tw	Tolerances unless otherwise specified ISO 2768 mH	scale 1:2	
			incremental encoder	customer drawing	Kibler type: B.A020.A211.1024 drawing ID: A 1397