

approval for production: \_\_\_\_\_  
checked: company & sign \_\_\_\_\_  
date \_\_\_\_\_

technical subject to modifications

**Mechanical characteristics:**

Speed <sup>1)</sup>: max. 3000 min<sup>-1</sup>  
 Rotor moment of inertia: < 150 x 10<sup>-6</sup> kgm<sup>2</sup>  
 Starting torque: < 0.2 Nm  
 Weight: app. 0.7 kg  
 Protection acc. to EN 60529: IP65  
 Working temperature: -20°C ... +70°C <sup>2)</sup>  
 Shaft: stainless steel, H7  
 Shock resistance acc. to DIN-IEC 68-2-27: 1000 m/s<sup>2</sup>, 6ms  
 Vibration resistance acc. to DIN-IEC 68-2-6: 100 m/s<sup>2</sup>, 10 ... 2000Hz

- 1) Short term (app. 15min. range) up to 3500 min<sup>-1</sup>
- 2) non-condensing

**Electrical characteristics:**

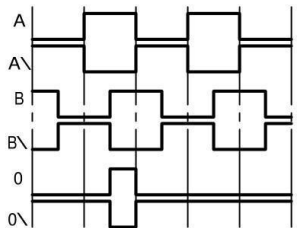
Output circuit: Push-pull  
 Supply voltage: 10...30 VDC  
 Power consumption (no load): typ. 80 mA /  
 with inverted signal: max. 150 mA  
 Permissible load/channel: max. ± 30 mA  
 Pulse frequency: max. 300 kHz  
 Signal level high: min. UB -3V  
 Signal level low: max. 2.5V  
 Rise time tr: max. 1µs  
 Fall time tf: max. 1µs  
 Short circuit proof outputs <sup>1)</sup>: yes  
 Reverse connection protection at UB: yes  
 Conforms to CE requirements acc. to EN 61000-6-2, EN 61000-6-4 and EN 61000-6-3

- 1) if supply voltage correctly applied

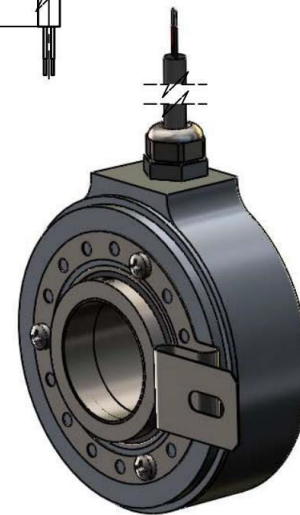
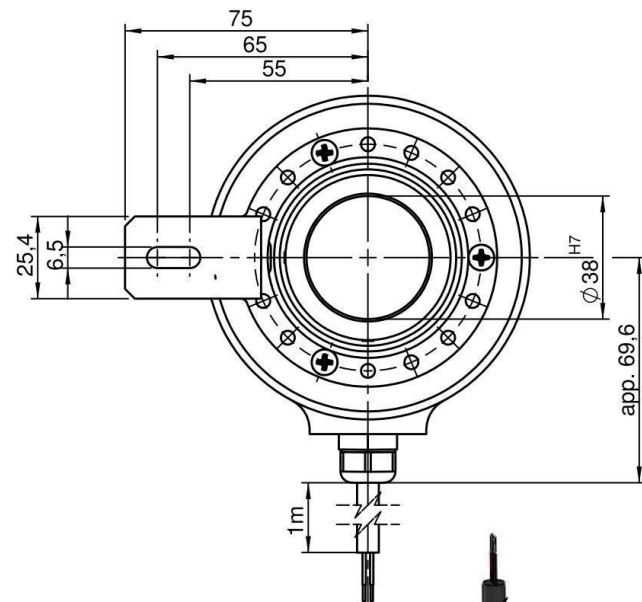
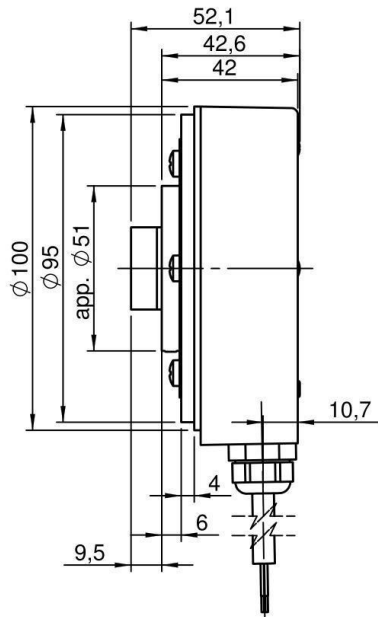
**Terminal assignment:**

Cable	
Signal	Color
0V	WH
+UB	BN
0V Sens	GY PK
+UB Sens	RD BU
A	GN
A\	YE
B	GY
B\	PK
0	BU
0\	RD


**Signals:**



A leads B, when shaft is rotated clockwise viewing the encoder shaft end



This document is property of Fritz Kübler GmbH, use of this document without written permission is prohibited

			Unit of measurement		 Fritz Kübler GmbH Zähl- und Sensortechnik 78054 VS-Schwenningen
			millimeter		
			Tolerances unless otherwise specified	scale	Customer Type:
0	1.12.08	tw	ISO 2768 mH	1:2	Kübler Type: 8.A020.A231.1024
Index	Date	Name			incremental encoder
					drawing ID: A1396
					customer drawing