

approval for production:
checked: company & sign
date

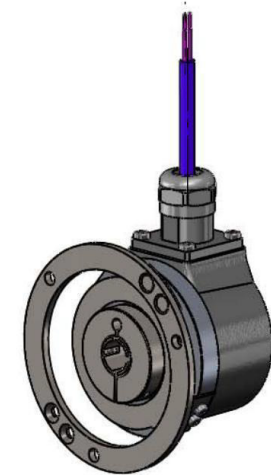
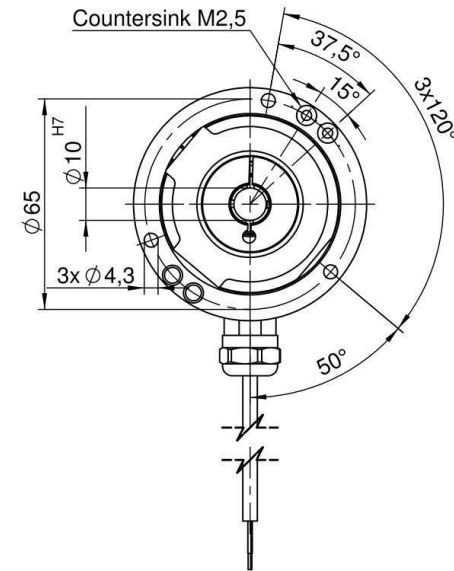
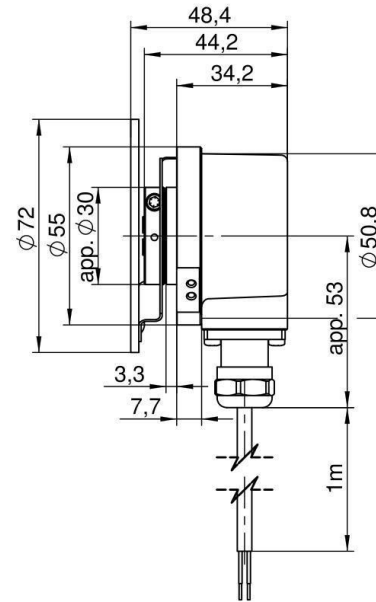
Mechanical characteristics:

Speed: max. 12000 min⁻¹
 Rotor moment of inertia: ca. 6x10⁻⁶ kgm²
 Starting torque: <0,01 Nm
 Weight: ca. 0,4 kg
 Protection acc. to EN 60 529: IP 65
 Operating temperature: -30°C up to +85°C ²⁾
 Shaft: stainless steel
 Shock resistance acc. to DIN-IEC 68-2-27: 2500 m/s², 6 ms
 Vibration resistance acc. to DIN-IEC 68-2-6: 100 m/s², 10...2000 Hz
 1) for continuous operation max. 6000 min⁻¹
 2) non - condensing

Electrical characteristics:

Output circuit: Push-pull
 Supply voltage: 10...30VDC
 Power consumption(no load): typ.50 mA
 max. 100 mA
 Permissible load/channel: max. ±20 mA
 Pulse frequency: max. 300 kHz
 Signal level high: min. U_B -1 V
 Signal level low: max. 0,5 V
 Rise time tr: max. 1 µs
 Fall time tf: max. 1 µs
 Short circuit proof outputs ¹⁾: yes
 Reverse connection protection at Ub: yes
 Conforms to CE requirements acc. to EN 61000-6-2, EN 61000-6-4 and EN 61000-6-3

1) when supply voltage correctly applied

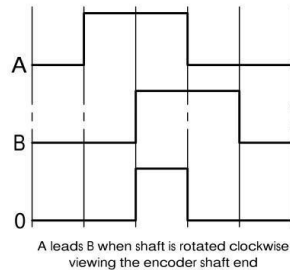



technical subject to modifications

Terminal assignment:

Cable	
Color	Signal
WH	0V
GY/PK	0V Sen.
BN	+UB
BU/RD	+UB Sen.
GN	A
GY	B
BU	0

Signals:



			Unit of measurement		 Fritz Kübler GmbH Zähl- und Sensortechnik 78054 VS-Schwenningen
			millimeter		
			Tolerances unless otherwise specified	DG1545	Customer Type:
			ISO 2768 mH	scale	Kübler Type: 8.5020.0371.1024.S093
0	14.9.09	tw		1:2	drawing ID. A1582
Index	Date	Name			customer drawing

This document is property of Fritz Kübler GmbH, use of this document without written permission is prohibited