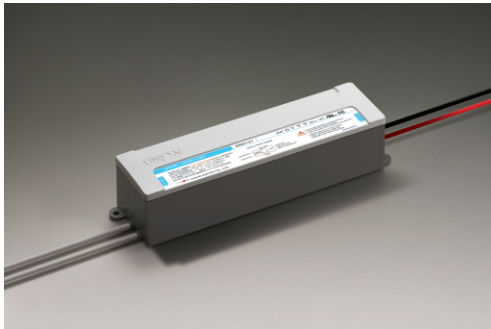


# 60W1 Series

60W single output  
with constant voltage circuit



- Constant voltage design(C.V. mode)
- AC Input voltage 100-120V
- Protections:  
Overload/Over voltage /Short circuit
- IP67 design for outdoor installations
- 100% full load burn-in test
- Suitable for LED lighting and moving sign applications
- Plastic case
- Class 2 power unit
- Safety standards : UL879
- EMC standards : FCC Part 15 classB
- 3years warranty

IP67 SELV LPS Pending

ITEM		UP60S12W1
INPUT	VOLTAGE RANGE	AC100~120V
	FREQUENCY RANGE	47~63Hz
	EFFICIENCY(typ.)	80%
	AC CURRENT(typ.)	1A/100VAC
	INRUSH CURRENT(typ.)	COLD START 30A/100VAC
	LEAKAGE CURRENT	-
OUTPUT	DC VOLTAGE	12V
	RATED CURRENT	5A(3.75A@50°C)
	RATED POWER	60W
	RIPPLE&NOISE(max.) Note2	170mVp-p
	VOLTAGE ADJ. RANGE	±5%
	VOLTAGE TOLERANCE Note3	±3%
	LINE REGULATION Note4	±1%
	LOAD REGULATION Note5	±2%
	SETUP,RISE TIME(max.)	3000ms,100ms/100VAC at full load
HOLD UP TIME(typ.)	10ms/100VAC at full load	
PROTEC-TION	SHORT CIRCUIT	Hiccup mode ; recovers automatically after fault condition is removed
	OVERLOAD	Over 110% of rating ; recovers automatically after fault condition is removed
	OVER VOLTAGE	115~140% of rating
ISOLA-TION	WITHSTAND VOLTAGE	I/P-O/P:AC3KV, I/P-F.G:AC1.5KV, O/P-F.G:AC0.5KV
	ISOLATION RESISTANCE	I/P-O/P, I/P-F.G, O/P-F.G:DC500V 100Mohms(At room temp. & humid.)
ENVIRON-MENT	WORKING TEMP.&HUMID.	-30~+50°C(Refer to "DERATING CURVE"),20~95%RH
	STORAGE TEMP.&HUMID.	-40~+75°C,10~95%RH
	VIBRATION	10~500Hz, 2G 10min./1cycle, period for 60min. each along X, Y, Z axes
OTHERS	DIMENSION	170.5*42.5*38mm(L*W*H)
	PACKING	0.35Kg

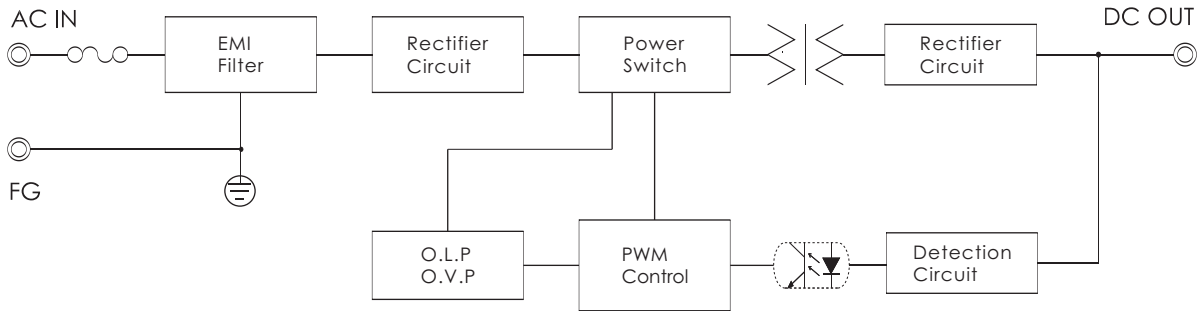
- NOTE**
1. All parameters not specially mentioned are measured at 220vac input, rared load and 25°C of ambient temperature.
  2. Ripple & noise are measured at 20MHz of bandwidth by using a 12" twisted pare-wire terminated with 0.1 uF & 47uF parallel capacitor.
  3. Tolerance : includes set up tolrance, line regulation and load regulation.
  4. Line regulation is measured from low line to high line at rated load.
  5. Load regulation is measured from low 0% to 100% rated load.

S.M.P.S

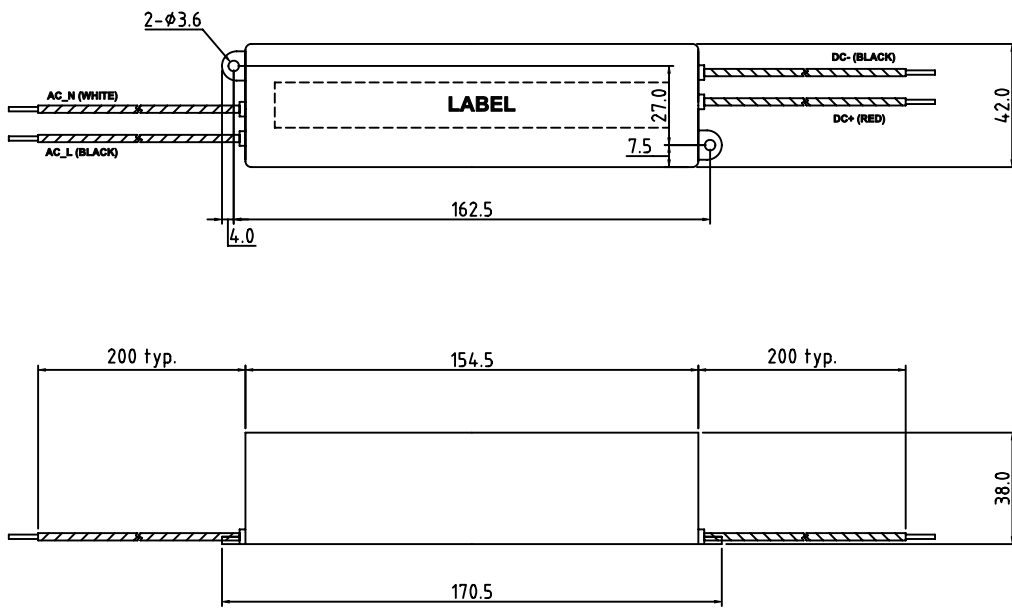
LED Converter

Water Proof Converter

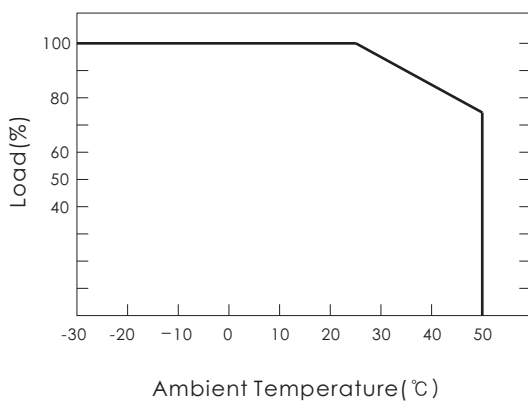
■ BLOCK DIAGRAM



■ DIMENSIONS(unit:mm)



■ DERATING CURVE



■ STATIC CHARACTERISTICS

