

F300S12WQ2-55C

300W single output with C.V circuit and PFC function



- Constant voltage design
- Built-in PFC function
- Built-in OTP function
- Low THD(Total Harmonic Distortion)
- Protections:Over current /Over voltage /Short circuit
- IP68 design for outdoor installations
- 100% full load burn-in test
- Suitable for LED lighting and street lighting applications
- Safety standards : K61347-1,K61347-2-13
- EMC standards : K61547,K00015
- Metal case
- 3years warranty

IP68 SELV

ITEM		UPF300S12WQ2-55C
INPUT	VOLTAGE RANGE	AC160~305V
	FREQUENCY RANGE	47~63Hz
	POWER FACTOR	PF>0.95 at rated power
	THD(max.)	THD<10%(@220VAC & full load)
	EFFICIENCY(typ.)	90%
	AC CURRENT(typ.)	1.3A/230VAC
	INRUSH CURRENT(typ.)	40A/230VAC
	LEAKAGE CURRENT	<2.5mA / 230VAC
OUTPUT	DC VOLTAGE	12V
	RATED CURRENT	22A(18.75A@50°C)
	RATED POWER	264W(225W@50°C)
	RECOMMENDED POWER	180W(@35°C)
	VOLTAGE TOLERANCE	±3%
	RIPPLE&NOISE(max.) Note2	150mVp-p
	SETUP,RISE TIME(max.)	3000ms,100ms/230VAC at full load
	HOLD UP TIME(typ.)	10ms/230VAC at full load
PROTEC-TION	OVER CURRENT Note3	Over 80% of rating ; recovers automatically after fault condition is removed
	SHORT CIRCUIT	Hiccup mode ; recovers automatically after fault condition is removed
	OVER VOLTAGE	110~140% of rating
ISOLA-TION	WITHSTAND VOLTAGE	I/P-O/P:AC3.75KV, I/P-F.G:AC2KV, O/P-F.G:AC1.5KV
	ISOLATION RESISTANCE	I/P-O/P, I/P-F.G, O/P-F.G:DC500V 100Mohms(At room temp. & humid.)
ENVIRON-MENT	WORKING TEMP.&HUMID.	-30~+50°C (Refer to "DERATING CURVE),20~95%RH
	STORAGE TEMP.&HUMID.	-40~+80°C,10~95%RH
	VIBRATION	10~500Hz, 5G 12min./1cycle, period for 72min. each along X, Y, Z axes
OTHERS	DIMENSION/WEIGHT	263*68*38.8mm(L*W*H)/1.15Kg

NOTE

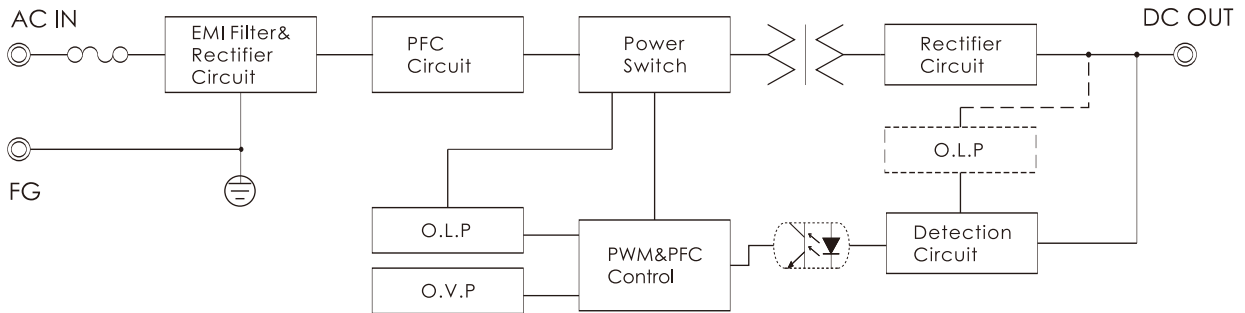
1. All parameters not specially mentioned are measured at 230vac input, rated load and 25°C of ambient temperature.
2. Ripple & noise are measured at 20MHz of bandwidth by using a 12" twisted pare-wire terminated with 0.1 uF & 47uF parallel capacitor.
3. Refer to "DRIVING METHODS of LED MODULE"

S.M.P.S

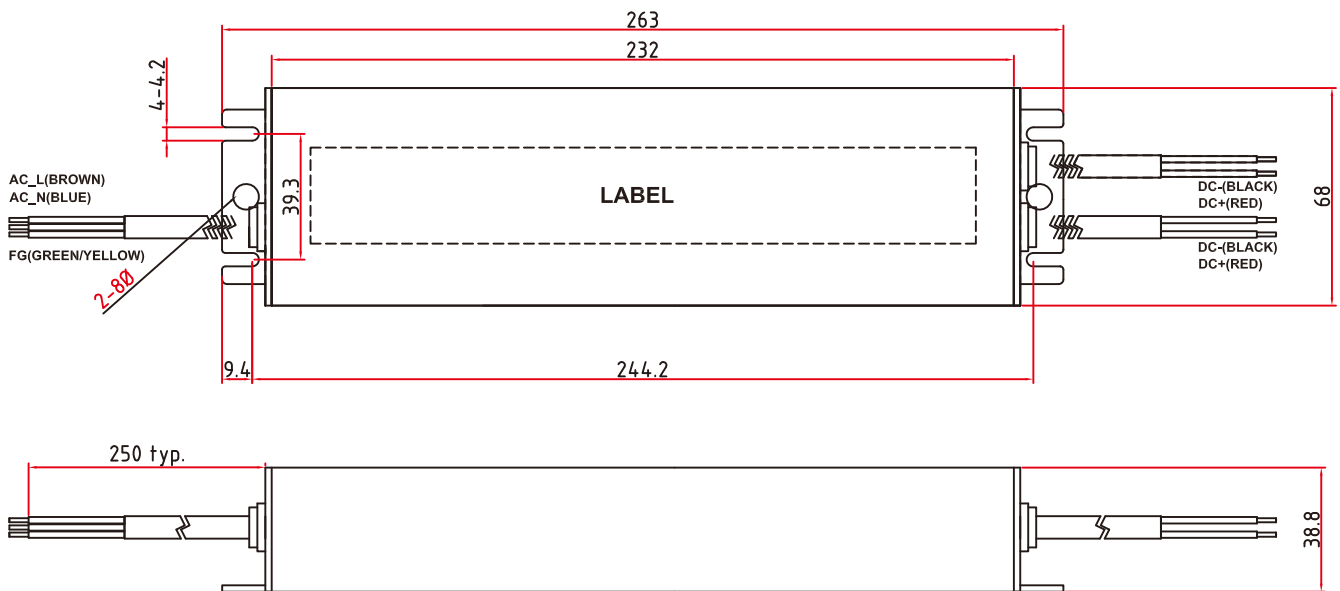
LED Converter

Water Proof Converter

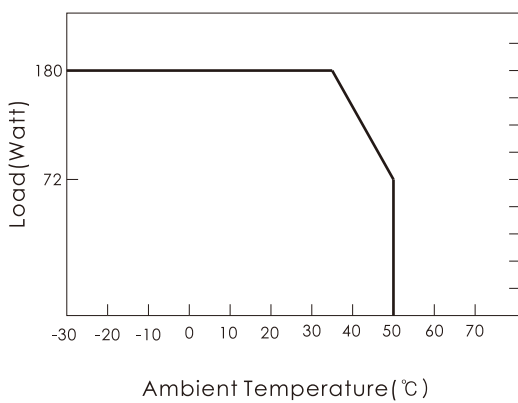
■ BLOCK DIAGRAM



■ DIMENSIONS(unit:mm)



■ DERATING CURVE



■ STATIC CHARACTERISTICS

